



Bad Boy® HP Luminaire

The Bad Boy® HP from PRG is an elegantly engineered, hybrid luminaire that combines the qualities of a traditional automated light with a large venue fixture. HP, which stands for High Power, is an upgraded version of the Bad Boy CMY.

Bad Boy HP is the ideal choice whenever a big-beam look is required, for example, when playing in front of high-brightness LED screens. Producing a powerful 50,000 lumens, the Bad Boy HP couples its high-definition optics with a Philips MSR Gold™ FastFit lamp that can be set to levels 1200W, 1400W, or 1600W.

The Bad Boy HP features a color-mixing system that allows for seamless crossfading between colors for unlimited creative possibilities.



Dimensions

POSITIONING:

Can be mounted in any orientation.

SPACING:

Hangs on 30-inch (762 mm) centers.

WEIGHT:

167 lbs (75.8 kg) - includes clamps and rails

Please see diagram on back

Built-In LCD Touch Screen

Bad Boy features a built-in LCD touchscreen display, which provides access to control, configuration, status, and testing functions.



Sample Menu Screen

Features

SOURCE:	Philips MSR Gold™ 1500W FastFit Lamp. Can be set to levels 1,200W, 1,400W, or 1,600W.
OUTPUT:	50,000 lumens
POWER DRAW:	12.5A at 208V, 10.5A at 240V. Auto-sensing voltage input range is 170V-270V 50/60HZ. Power factor >0.95
REFLECTOR:	Precision glass reflector with dichroic cold mirror coating.
OPERATING TEMP:	32° to 120°F (0° to 50°C)
CONTROL:	Compatible with DMX512-A, RDM, and Art-Net sources. An internal Ethernet switch allows for daisy-chaining fixtures.
ON-BOARD CONTROL:	Built-in LCD display with touchscreen featuring menu system control.
ZOOM RANGE:	Standard Mode - 8:1 from narrow spot of 7° to wide flood of 56° Ultra Narrow Mode - 5.5° to 8°
ZOOM CONTROL:	Four (4) groups of lenses — each independently controlled for accuracy while maintaining focus during zoom changes
BEAM SIZE CONTROL:	In addition to the zoom optics, a mechanical iris provides continuous beam size control for both rapid changes and smooth timed beam angle changes.
EDGE CONTROL:	Maintains gobo focus and allows gobo morphing.
STROBE:	Servo-powered, lightning fast strobe.
FROST:	Variable frost for smooth diffusion.
COLOR:	CMY color system featuring three (3) crossfading color wheels of Cyan, Magenta, and Yellow, plus one (1) designer wheel with user-changeable color filters.
ROTATING GOBOS:	Two (2) indexable, rotating gobo wheels with seven (7) gobos per wheel. Gobos are individually calibrated so the unit will automatically index the orientation of each gobo regardless of placement.
PAN & TILT:	Three-phase, high-speed servo motors.
RANGE:	Pan - 540°, Tilt - 270°
MAX VELOCITY:	4.1 seconds for 540° of pan and 3.2 seconds for 270° of tilt.
INTENSITY:	Full-field dimming from 0 to 100% with accurate slow-speed control and fast bumps.
DMX:	42 channels

Bad Boy® HP Luminaire Specifications

The unit is an integrally designed, remote controlled, motorized luminaire. The housing and yoke are constructed of aluminum and steel for lightweight strength and are forced-air cooled. The unit utilizes a Philips MSR Gold™ 1,500W FastFit lamp that can be set to levels 1,200W, 1,400W, or 1,600W. The lamp is easily changeable from the rear of the unit, eliminating the need to open the head for lamp access.

Two enclosed, high torque servo motors permit movement of the head on a horizontal plane of 540° and on a vertical plane of 270°. Control cabling runs internally to prevent tangling. The pan and tilt are belt-driven, providing positional resolution and repeatability of 0.2° on either axis. Manual override under power will not harm the drive mechanism. Pan and tilt locking mechanisms automatically unlock when power is applied to the fixture.

Each unit is equipped with an on-board microprocessor providing diagnostic and self-calibration functions. In the event the luminaire encounters any physical obstruction during calibration, the pan and tilt motors will automatically be disabled preventing damage to the mechanisms.

The Bad Boy CMY luminaire contains three (3) crossfading color wheels of Cyan, Magenta, and Yellow, plus one (1) designer wheel with user-changeable color filters.

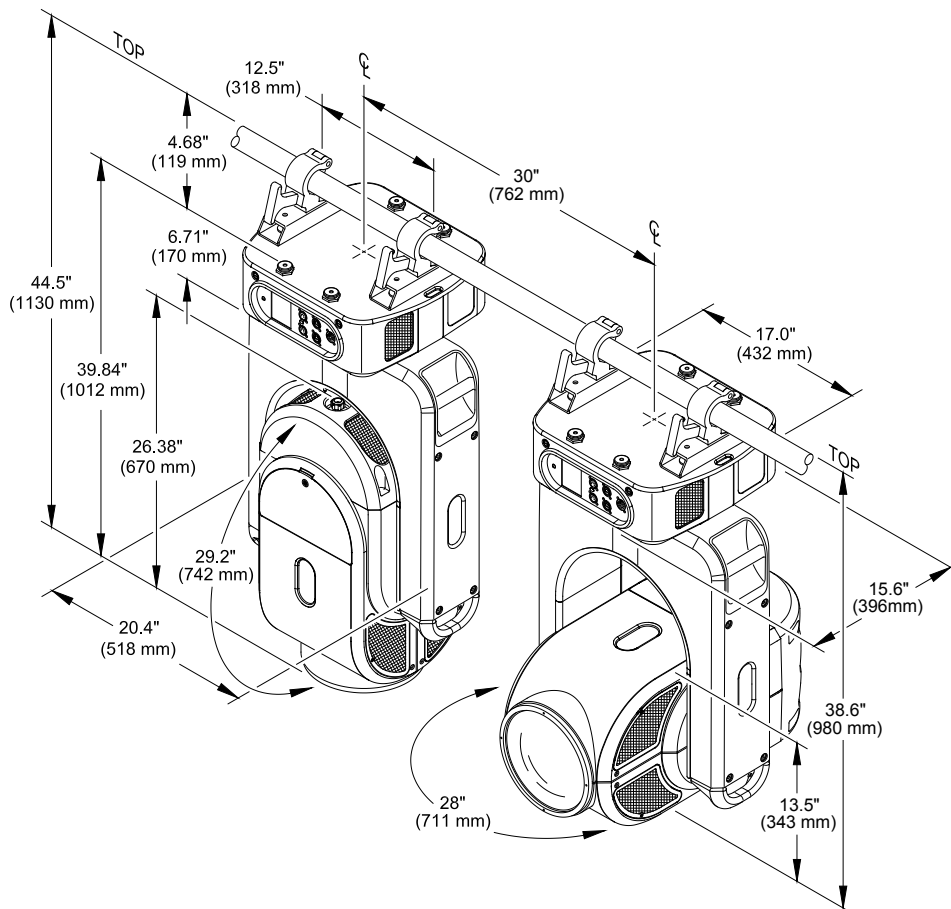
The unit contains two (2) indexable, rotating gobo wheels with seven (7) gobos per wheel. Gobos are individually calibrated so the unit will automatically index the orientation of each gobo regardless of placement. All gobos are easily removable from the unit. Positional accuracy of the gobo frame in reference to the beam is ensured by the microprocessor, which maintains count of both servo motors and magnetic sensors that define the open white positions.

The unit contains a mechanical iris which provides continuous beam size control for both rapid changes and smooth timed beam angle changes. Variable beam focus is provided to soften edges of gobos or spots and provide gobo morphing. The zoom optics system provides an 8:1 zoom range from narrow spot of 7° to wide flood of 56°. The unit is capable of full-field dimming from 0 to 100% with accurate slow-speed control and fast bumps. The unit also contains a servo-powered strobe mechanism for lightning fast strobe effects.

The unit is compatible with all PRG consoles and a wide variety of DMX512-A and Art-Net consoles. An internal Ethernet switch allows for daisy-chaining fixtures. A built-in LCD display with touchscreen allows for on-board fixture control. On-board battery power allows a fixture address to be set without having to apply AC power to the luminaire.

A safety cable is provided with each unit. Exterior finish is black powder coat. Total weight does not exceed 167 lbs (75.8 kg). The unit is CE-marked.

Dimensions



POSITIONING:
Can be mounted in any orientation.

SPACING:
Hangs on 30 inch (762 mm) centers.

WEIGHT:
167 lbs (75.8 kg) includes clamps & rails

BAD BOY® IS A REGISTERED TRADEMARK OF PRODUCTION RESOURCE GROUP, L.L.C. MSR GOLD™ IS A TRADEMARK OF PHILIPS GROUP.

©2019 PRODUCTION RESOURCE GROUP, L.L.C. ALL RIGHTS RESERVED. SPECIFICATIONS ARE SUBJECT TO CHANGE WITHOUT NOTICE. VERSION: JANUARY 2019 - B