

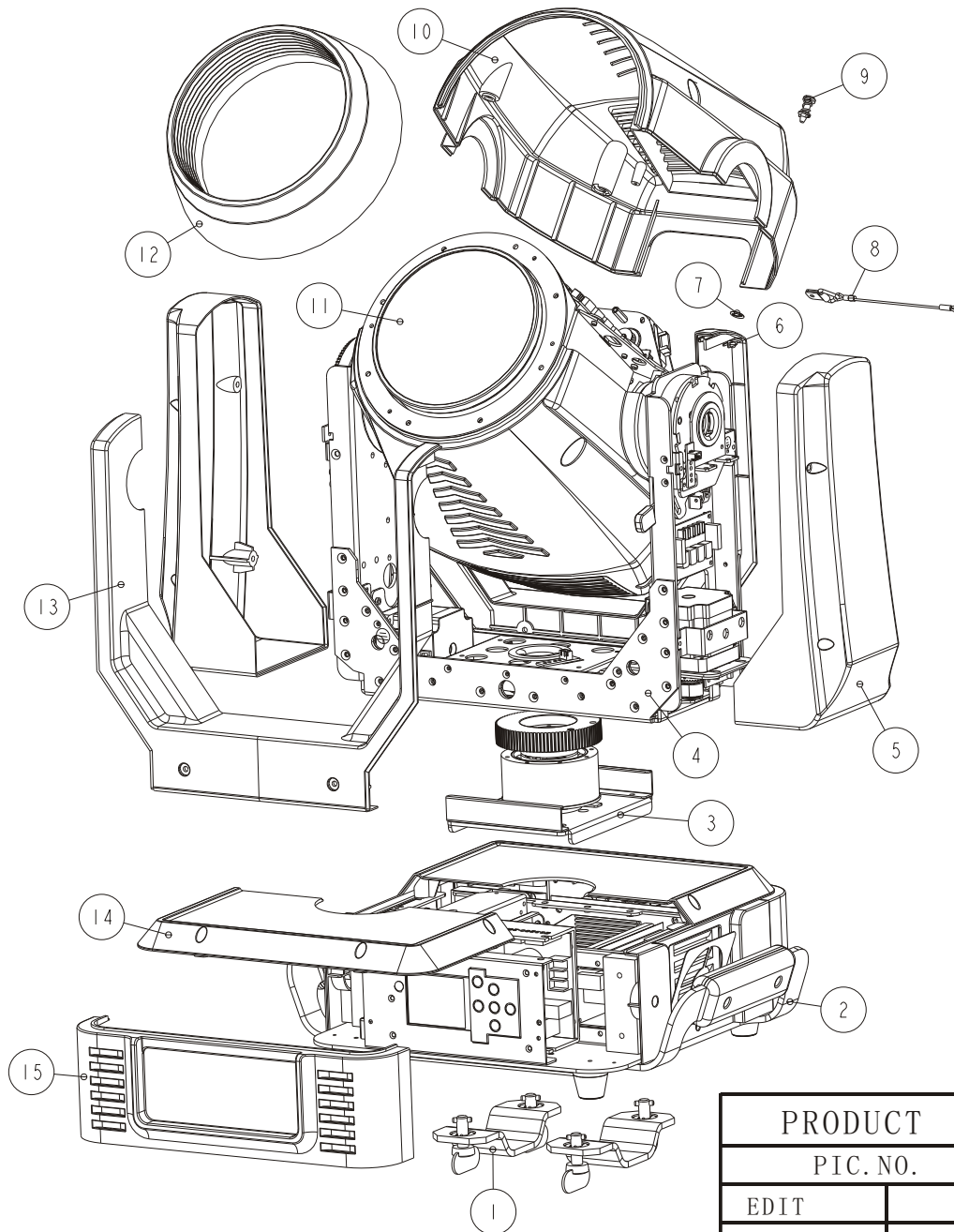
Service manual

ICON BEAM

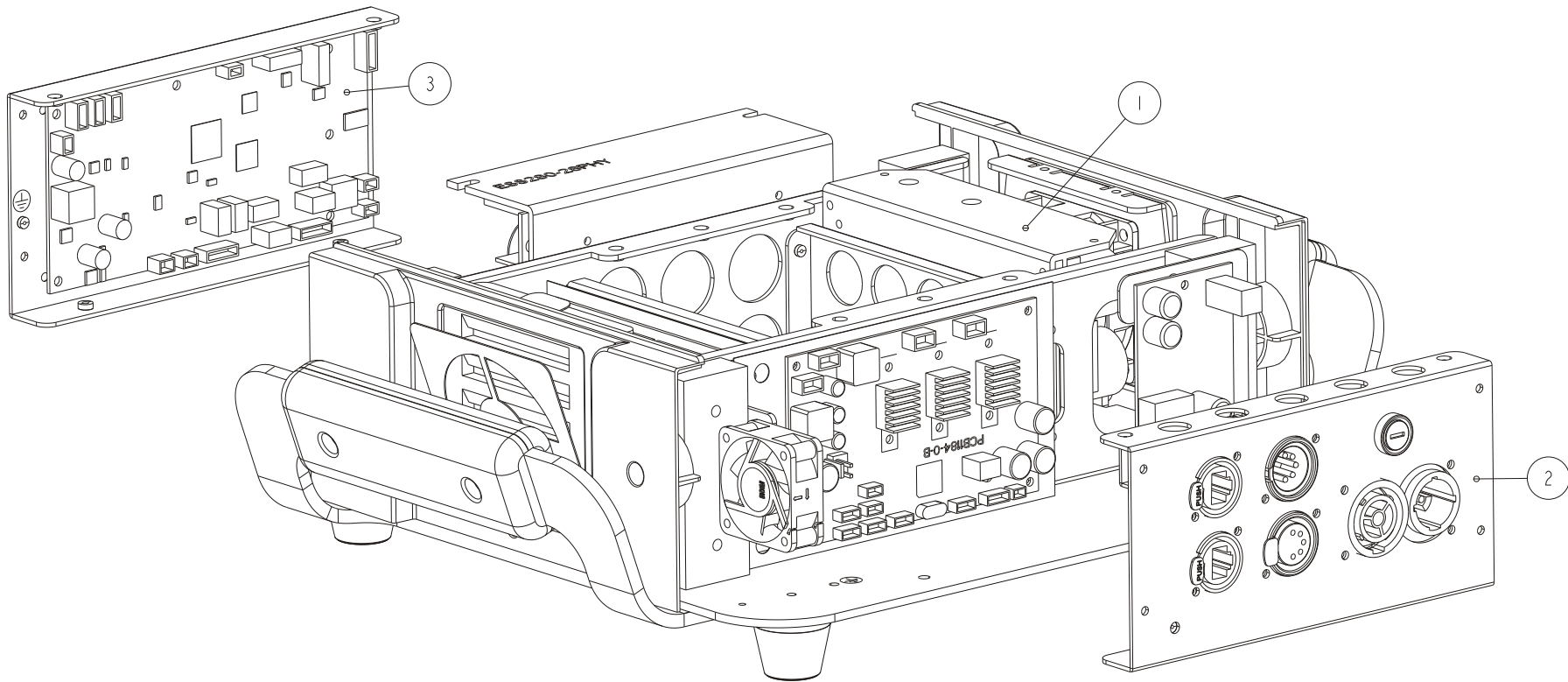
- ✘ Exploded Diagrams
- ✘ Circuit Diagrams
- ✘ Wiring Diagrams
- ✘ Parts List



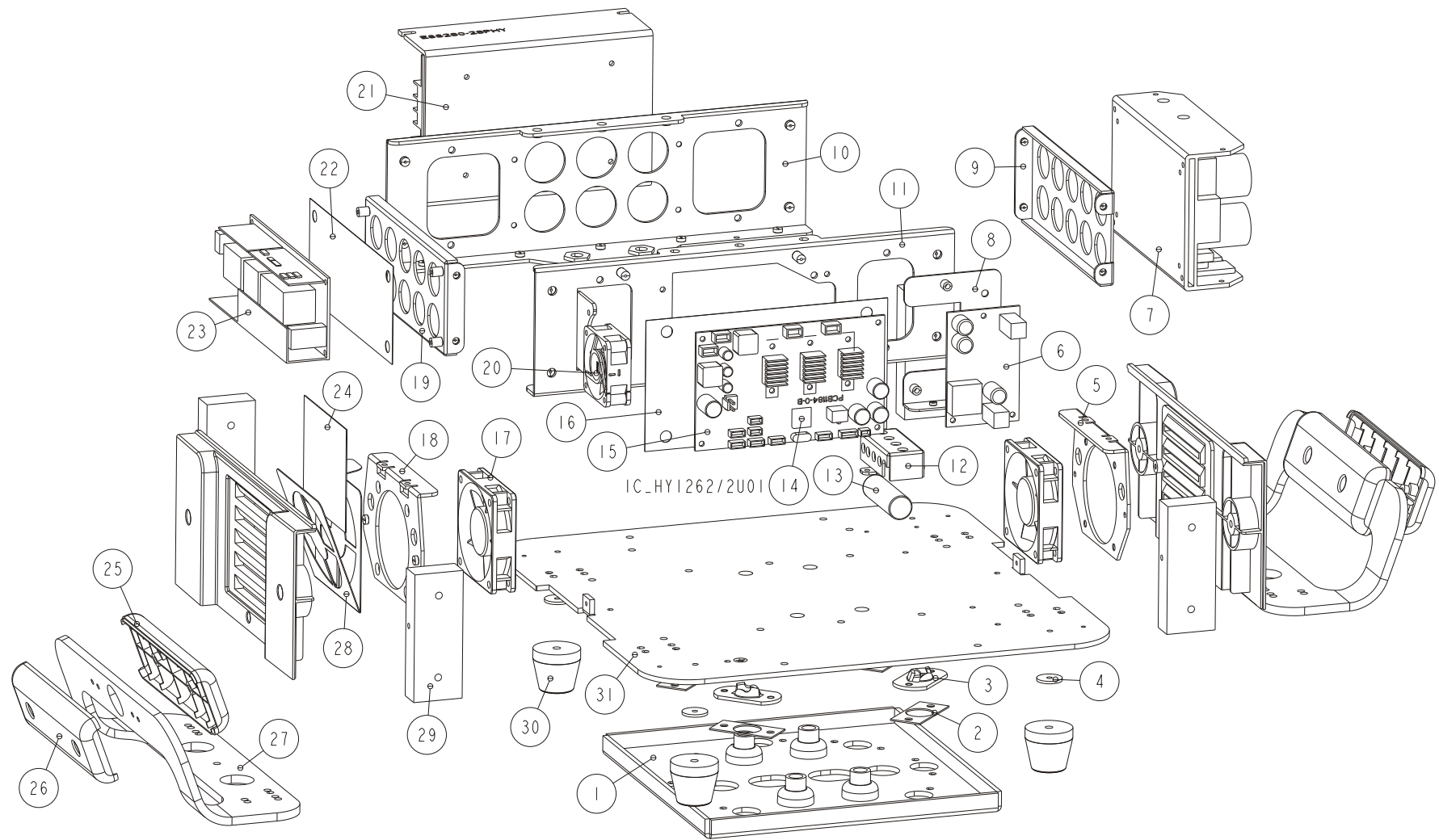
PRODUCT	PLATINUM SPOT 35 PRO		
PIC. NO.	Front Page	Series No.	SO201520020001-SO201520020200
EDIT	FILE NO.	HY-EXP-1503A	
CHECK	ORDER NO.	So20152002	
APPROVE	VERSION	V120_004	



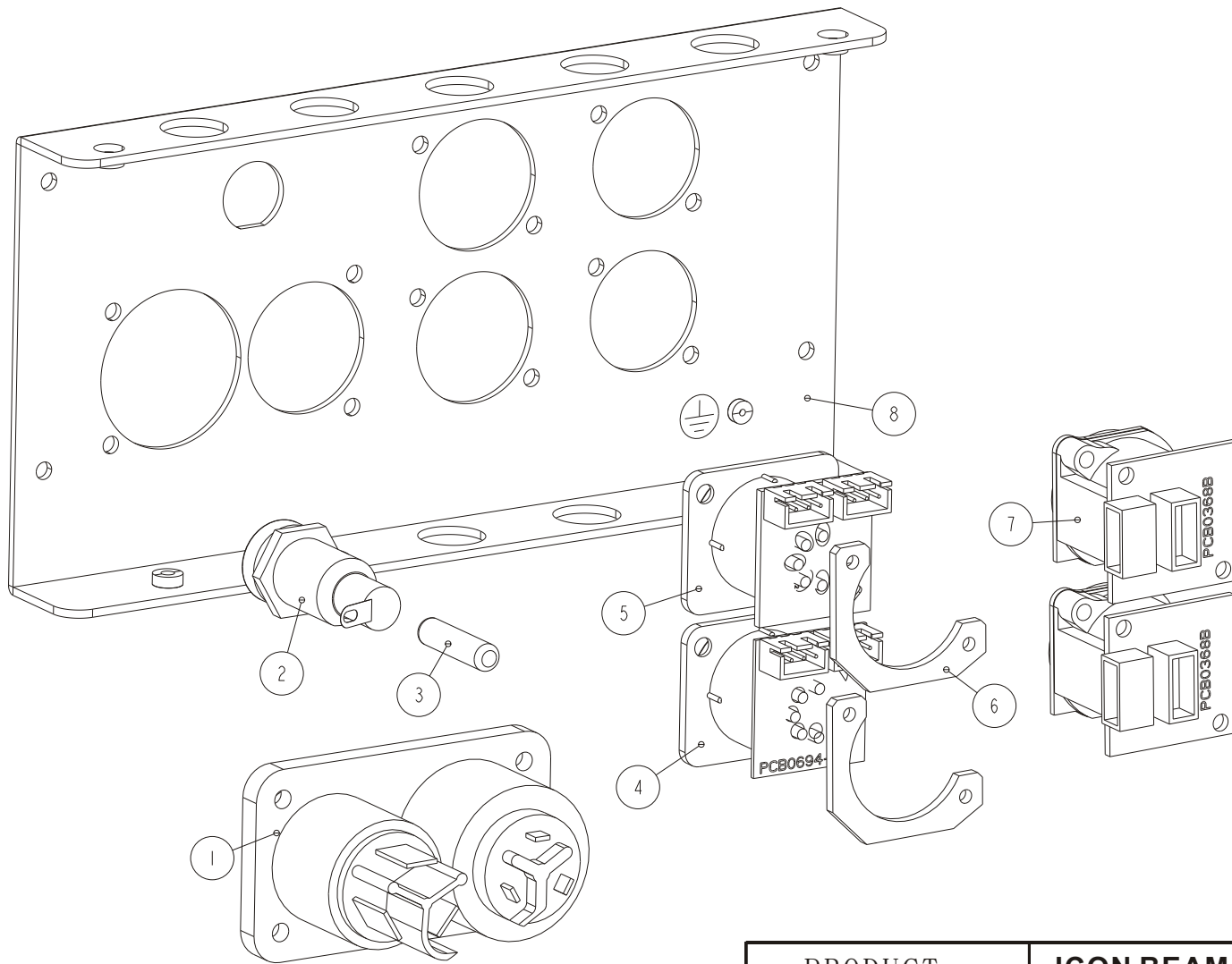
PRODUCT		ICON BEAM			
PIC. NO.		33-0001-00-00-00			
EDIT		FILE NO.	HY-EXP-1503A	PAGE NO.	01/26
CHECK		VERSION	V120_004	DATE	2015.09.09
APPROVE		ECN NO.		DATE	



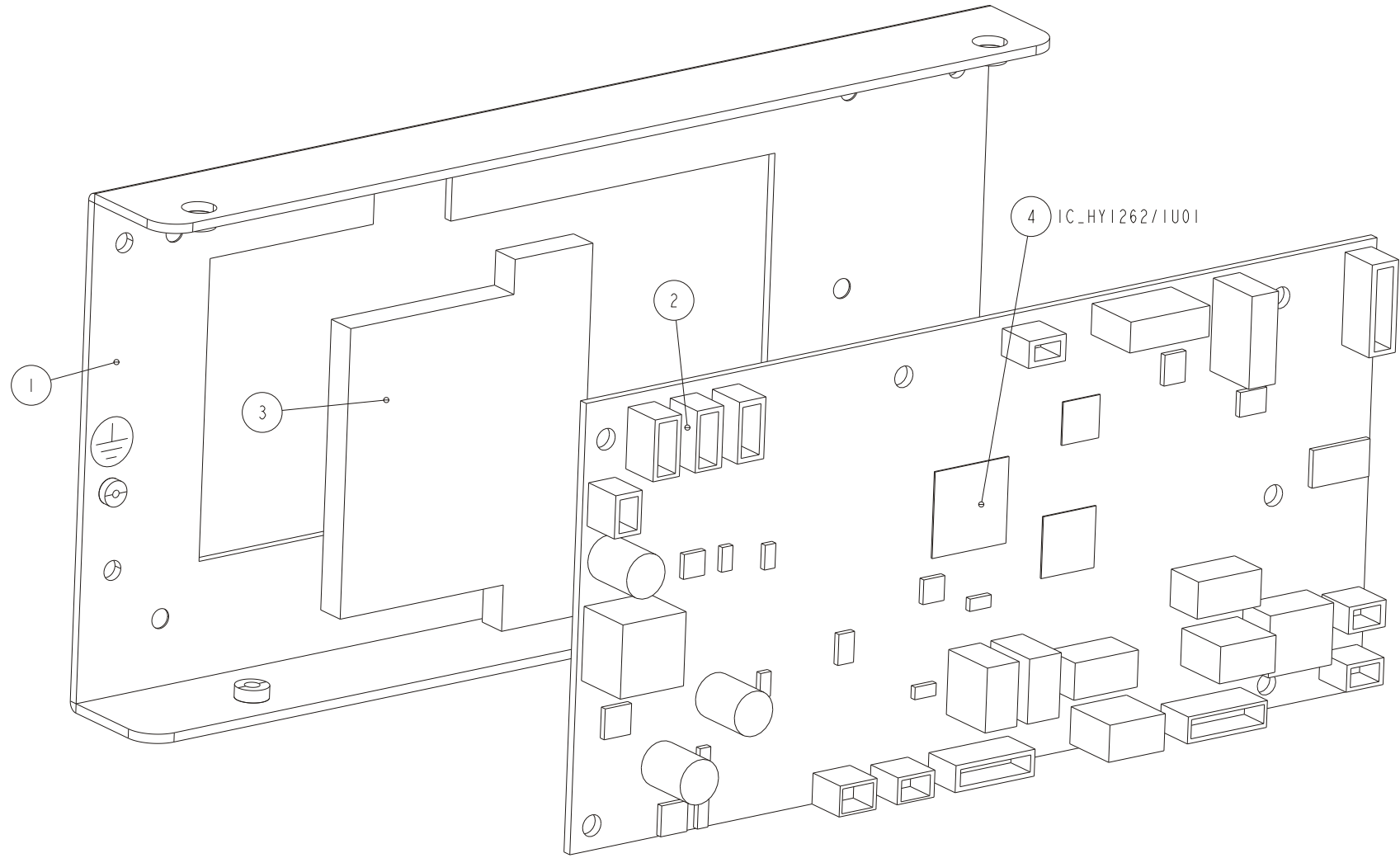
PRODUCT		ICON BEAM			
PIC. NO.		33-0001-01-00-00			
EDIT		FILE NO.	HY-EXP-1503A	PAGE NO.	02/26
CHECK		VERSION	V120_004	DATE	2015.09.09
APPROVE		ECN NO.		DATE	



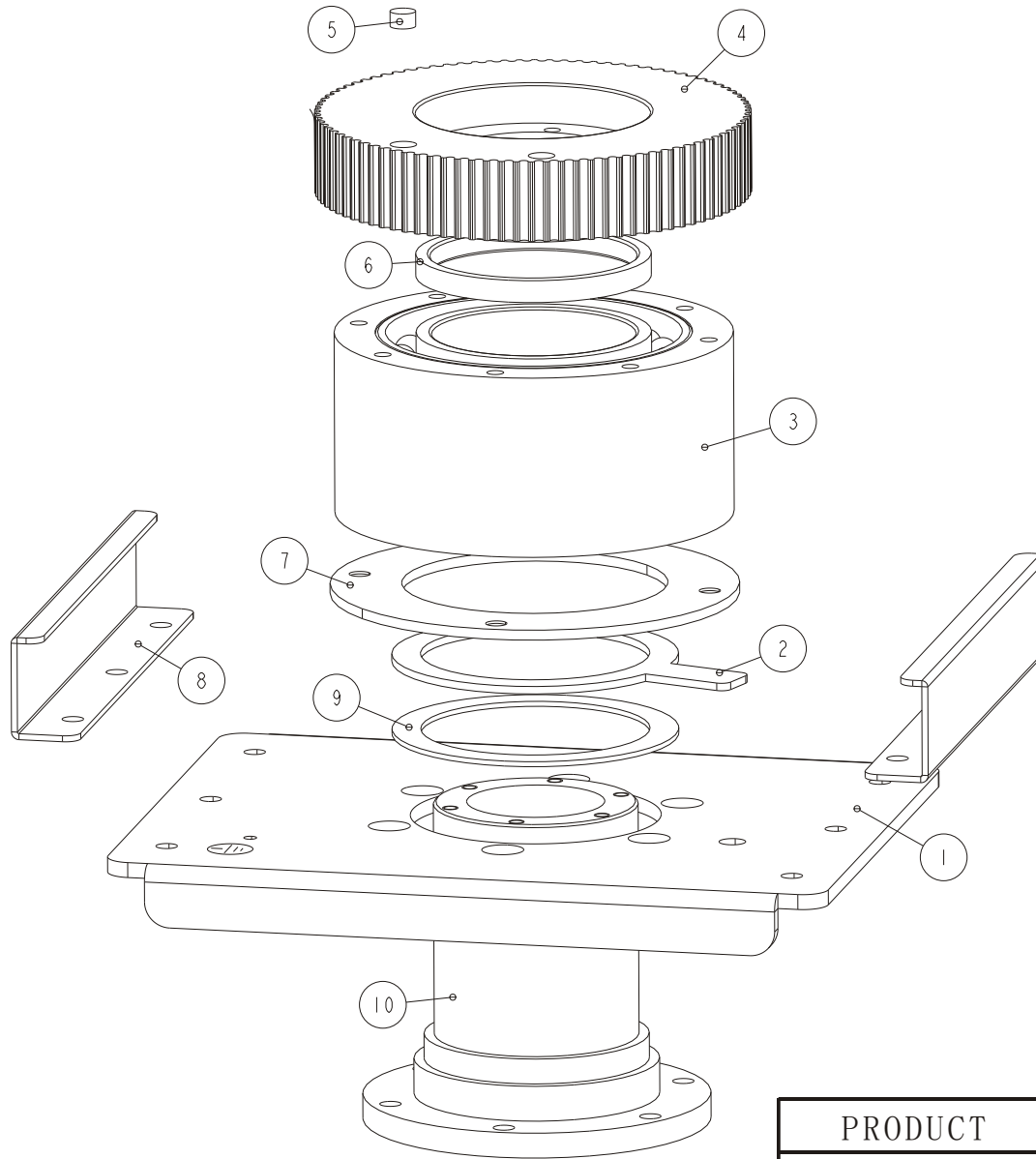
PRODUCT		ICON BEAM			
PIC. NO.		33-0001-01-01-00			
EDIT		FILE NO.	HY-EXP-1503A	PAGE NO.	03/26
CHECK		VERSION	V120_004	DATE	2015.09.09
APPROVE		ECN NO.		DATE	



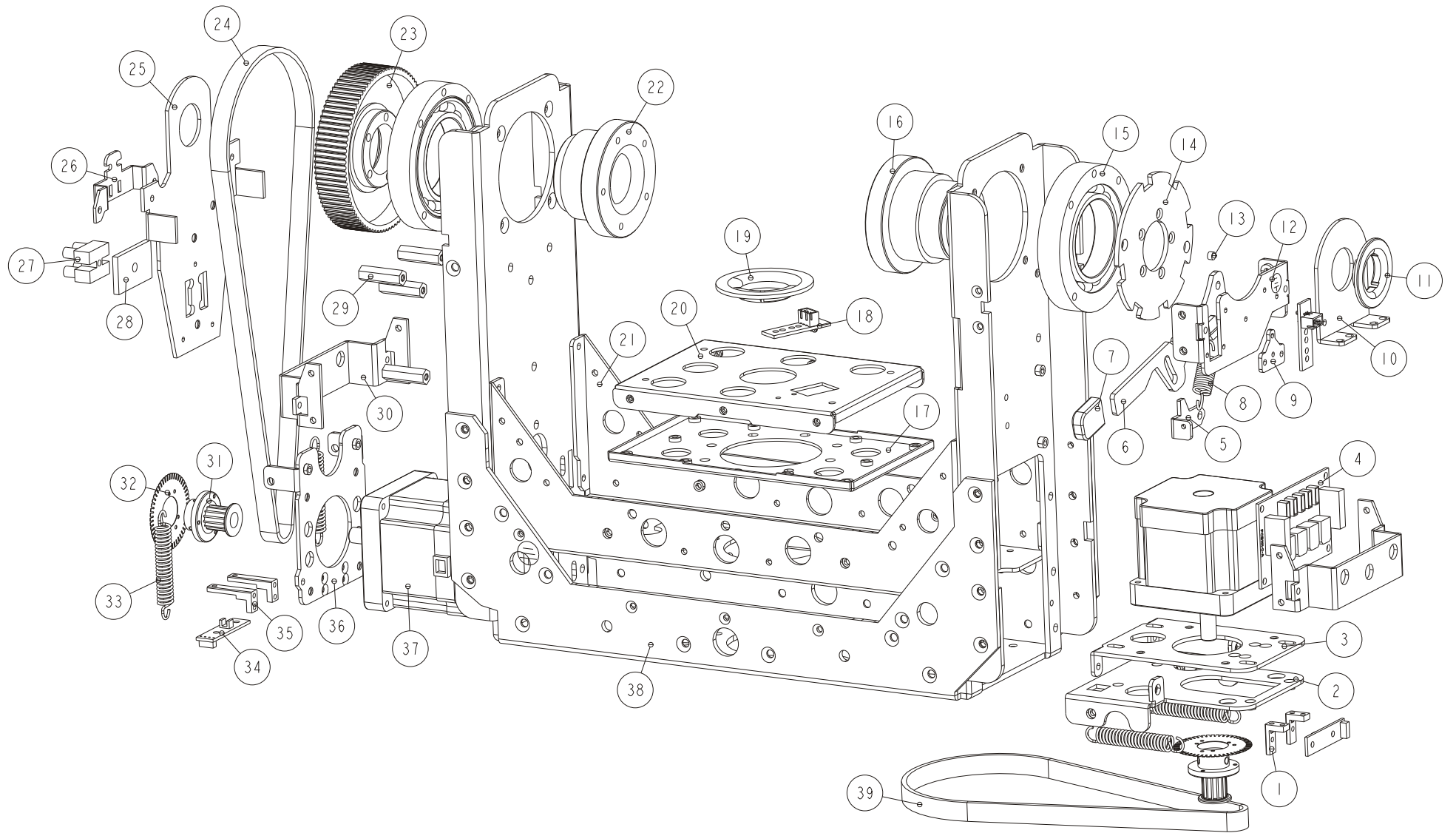
PRODUCT		ICON BEAM			
PIC. NO.		33-0001-01-02-00			
EDIT		FILE NO.	HY-EXP-1503A	PAGE NO.	04/26
CHECK		VERSION	V120_004	DATE	2015.09.09
APPROVE		ECN NO.		DATE	



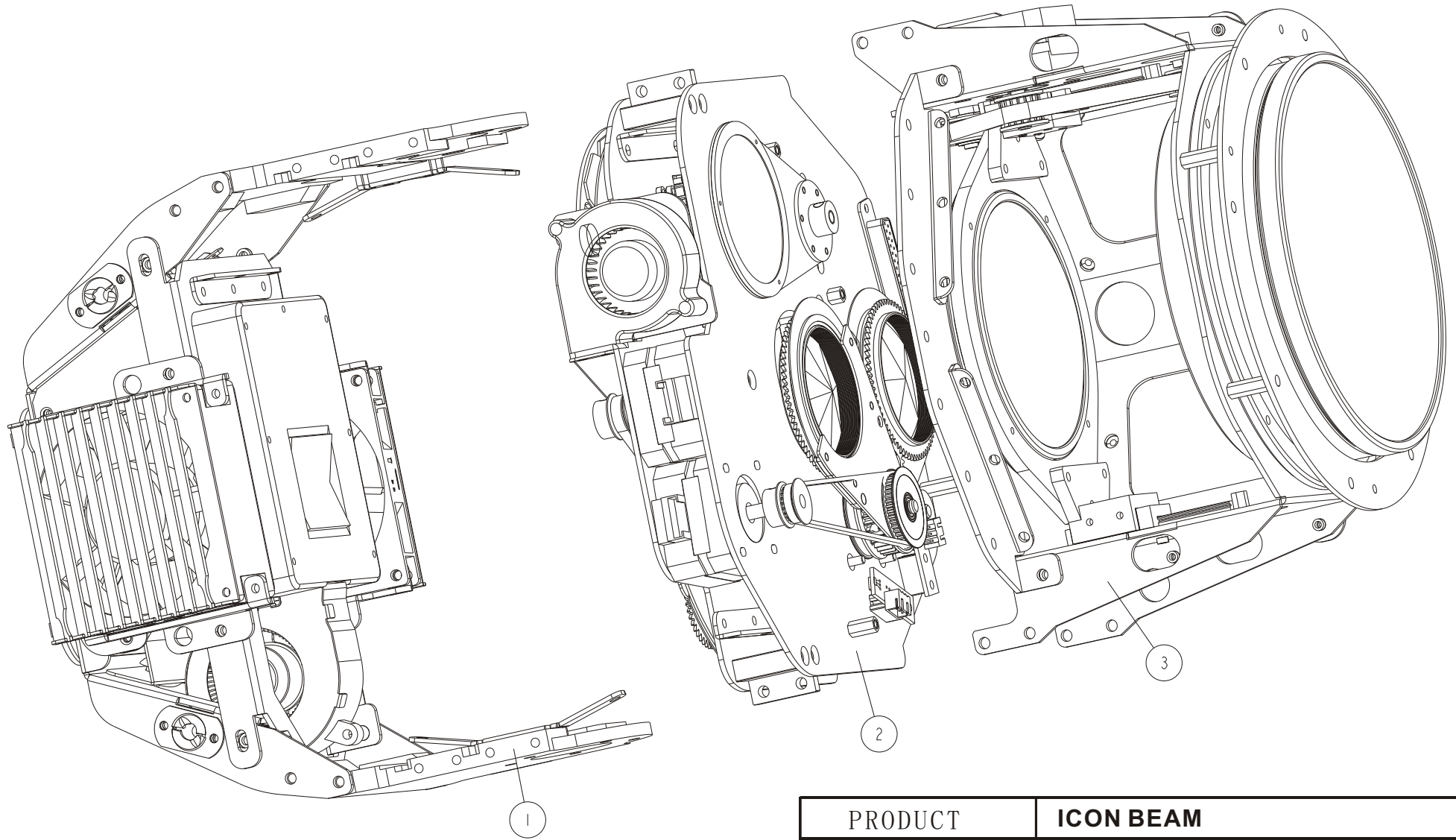
PRODUCT		ICON BEAM			
PIC. NO.		33-0001-01-03-00			
EDIT		FILE NO.	HY-EXP-1503A	PAGE NO.	05/26
CHECK		VERSION	V120_004	DATE	2015.09.09
APPROVE		ECN NO.		DATE	



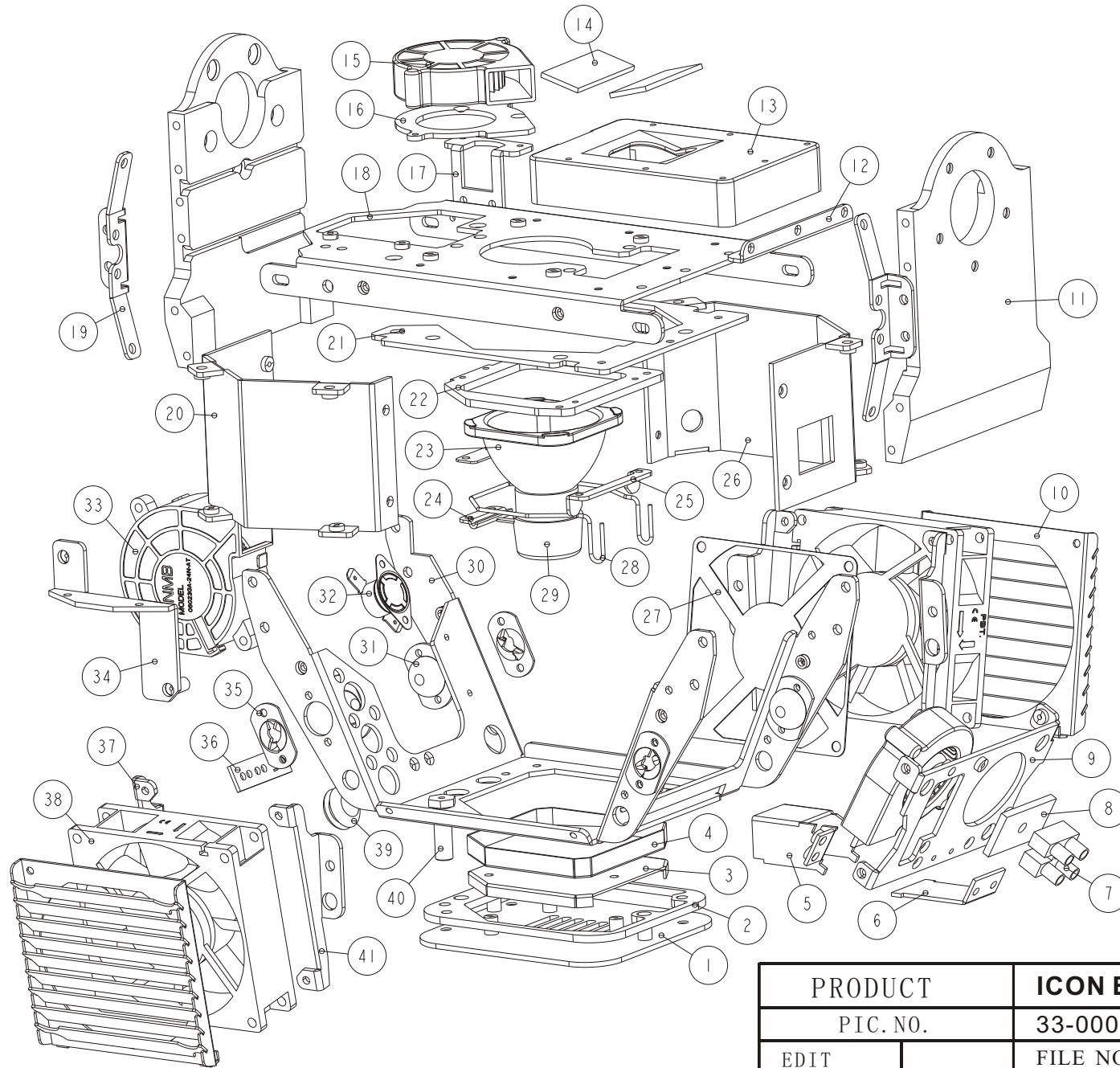
PRODUCT		ICON BEAM			
PIC. NO.		33-0001-02-00-00			
EDIT		FILE NO.	HY-EXP-1503A	PAGE NO.	06/26
CHECK		VERSION	V120_004	DATE	2015.09.09
APPROVE		ECN NO.		DATE	



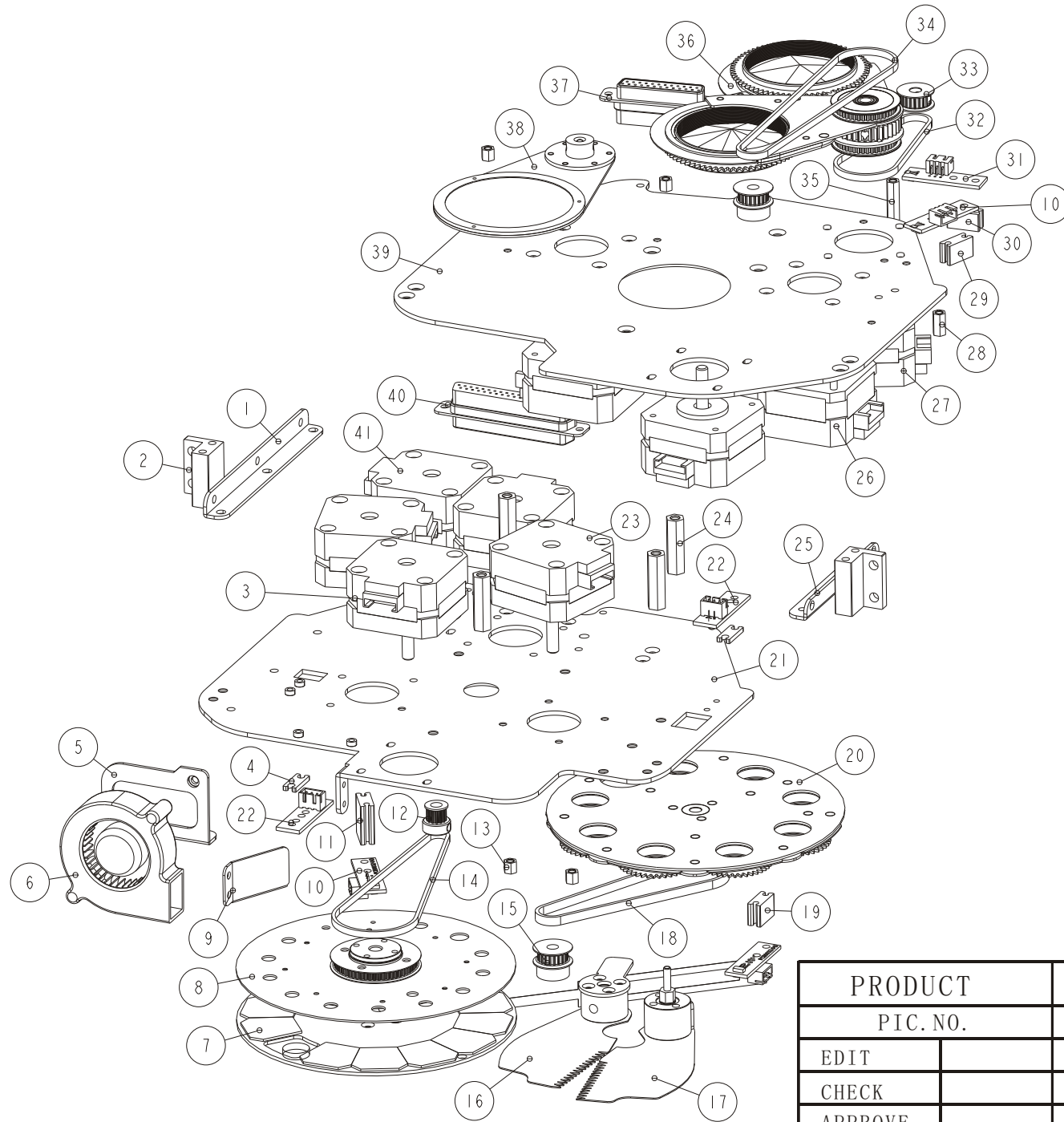
PRODUCT		ICON BEAM			
PIC. NO.		33-0001-03-00-00			
EDIT		FILE NO.	HY-EXP-1503A	PAGE NO.	07/26
CHECK		VERSION	V120_004	DATE	2015.09.09
APPROVE		ECN NO.		DATE	



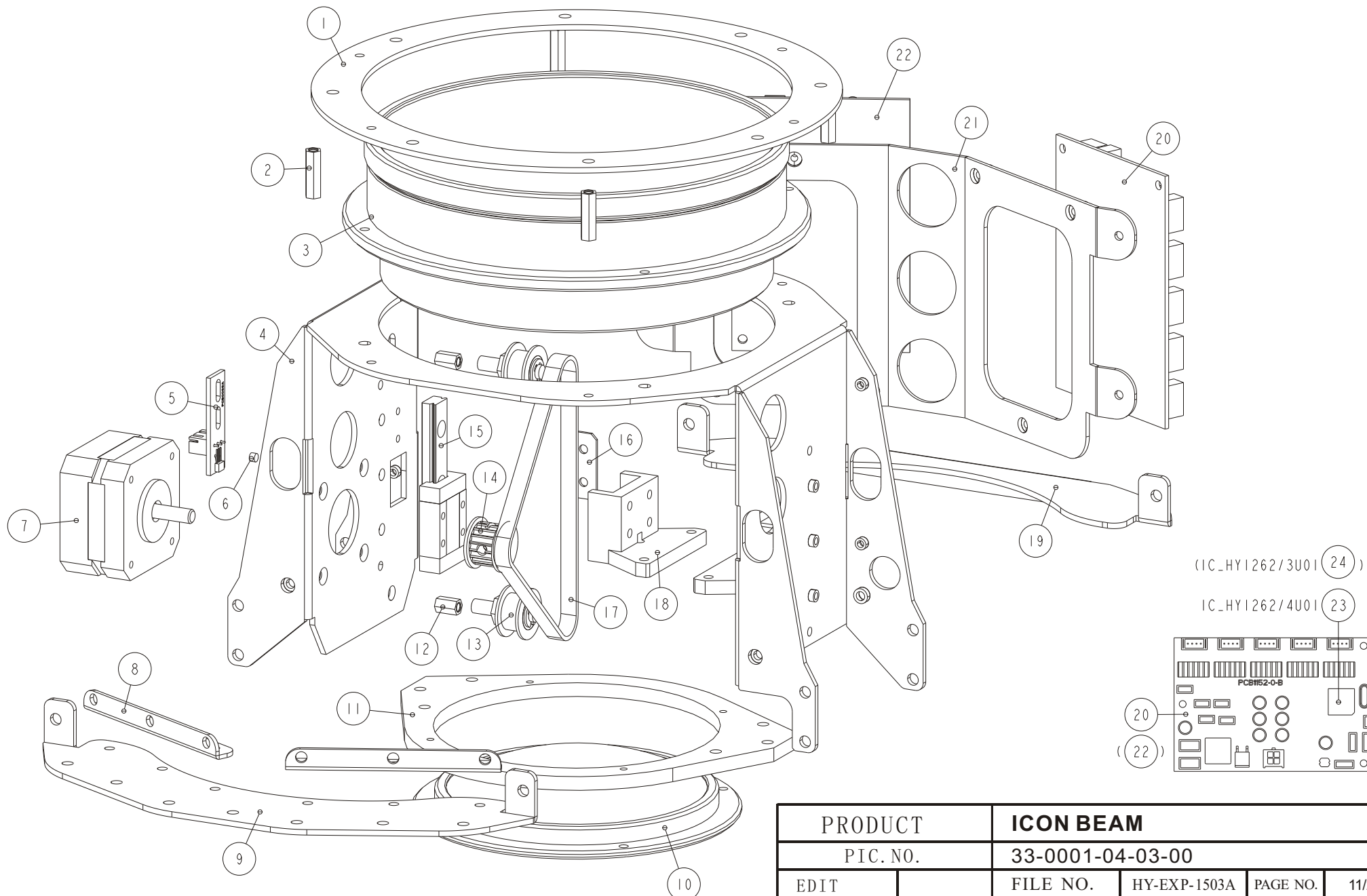
PRODUCT		ICON BEAM			
PIC. NO.		33-0001-04-00-00			
EDIT		FILE NO.	HY-EXP-1503A	PAGE NO.	08/26
CHECK		VERSION	V120_004	DATE	2015.09.09
APPROVE		ECN NO.		DATE	



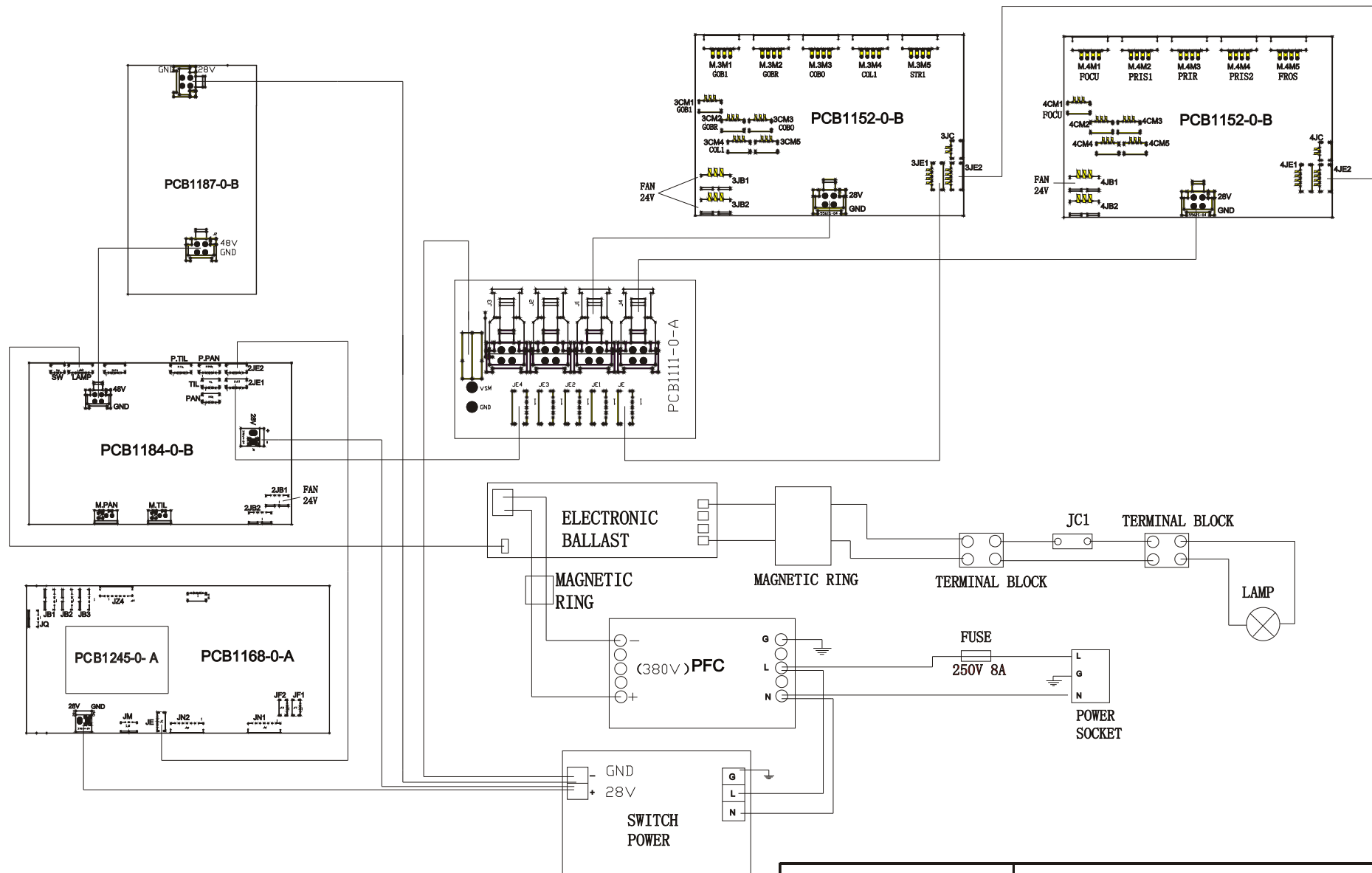
PRODUCT		ICON BEAM			
PIC. NO.		33-0001-04-01-00			
EDIT		FILE NO.	HY-EXP-1503A	PAGE NO.	09/26
CHECK		VERSION	V120_004	DATE	2015.09.09
APPROVE		ECN NO.		DATE	



PRODUCT		ICON BEAM			
PIC. NO.		33-0001-04-02-00			
EDIT		FILE NO.	HY-EXP-1503A	PAGE NO.	10/26
CHECK		VERSION	V120_004	DATE	2015.09.09
APPROVE		ECN NO.		DATE	

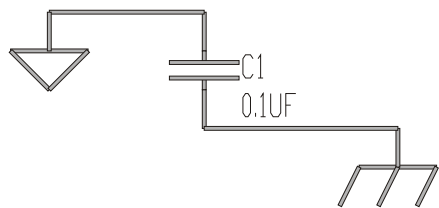
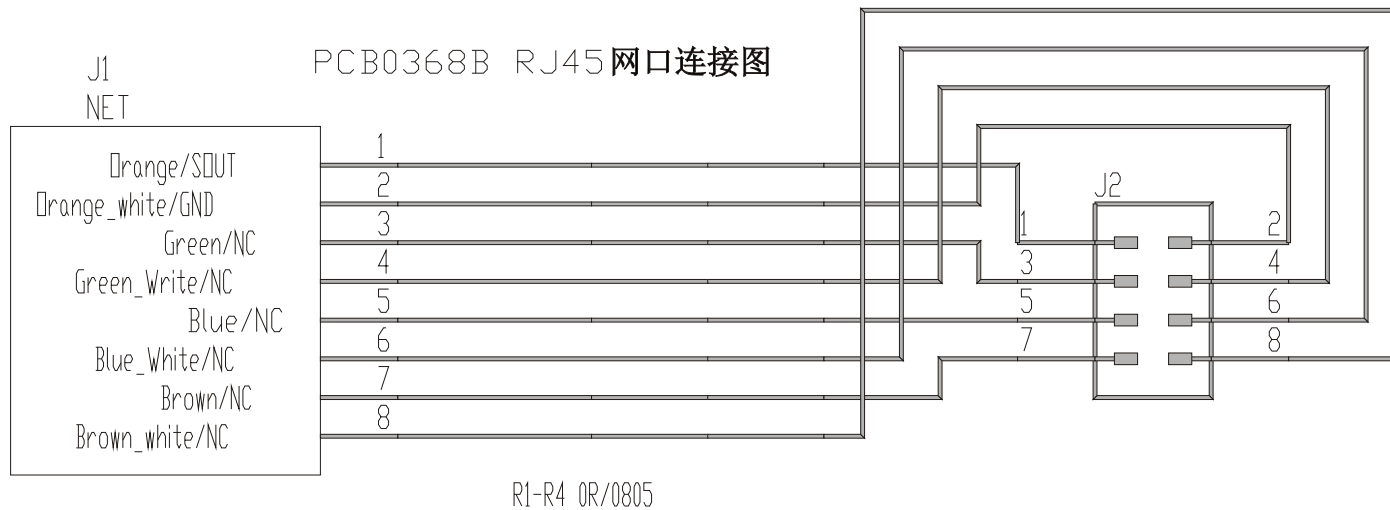


PRODUCT		ICON BEAM			
PIC. NO.		33-0001-04-03-00			
EDIT		FILE NO.	HY-EXP-1503A	PAGE NO.	11/26
CHECK		VERSION	V120_004	DATE	2015.09.09
APPROVE		ECN NO.		DATE	

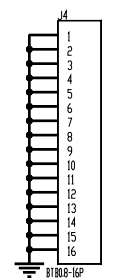
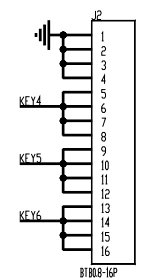
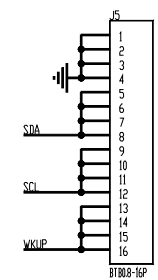
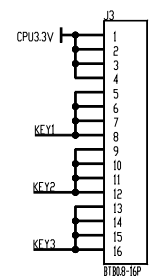
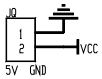
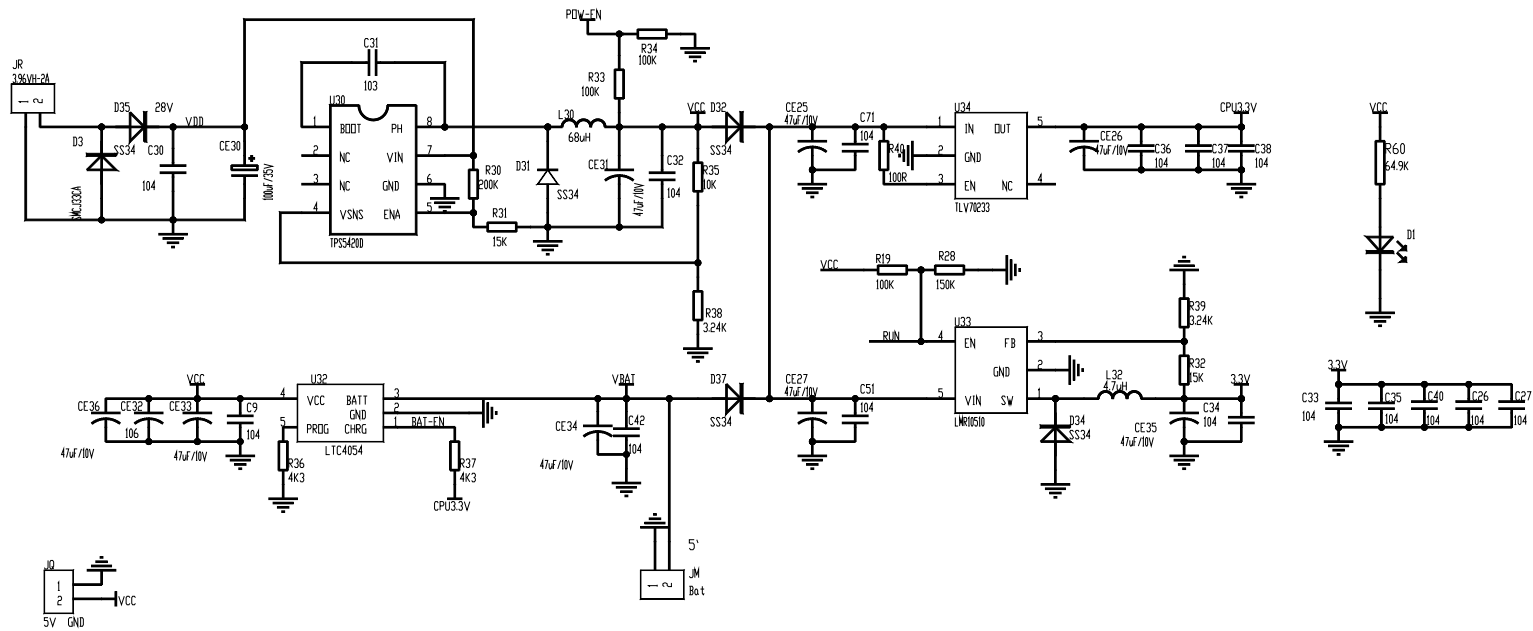


PRODUCT		ICN BEAM			
PIC. NO.		ICN BEAM ELECTRIC			
EDIT		FILE NO.	HY-WIJL-A237	PAGE NO.	12/26
CHECK		VERSION	A	DATE	2015. 09. 09
APPROVE		ECN NO.		DATE	

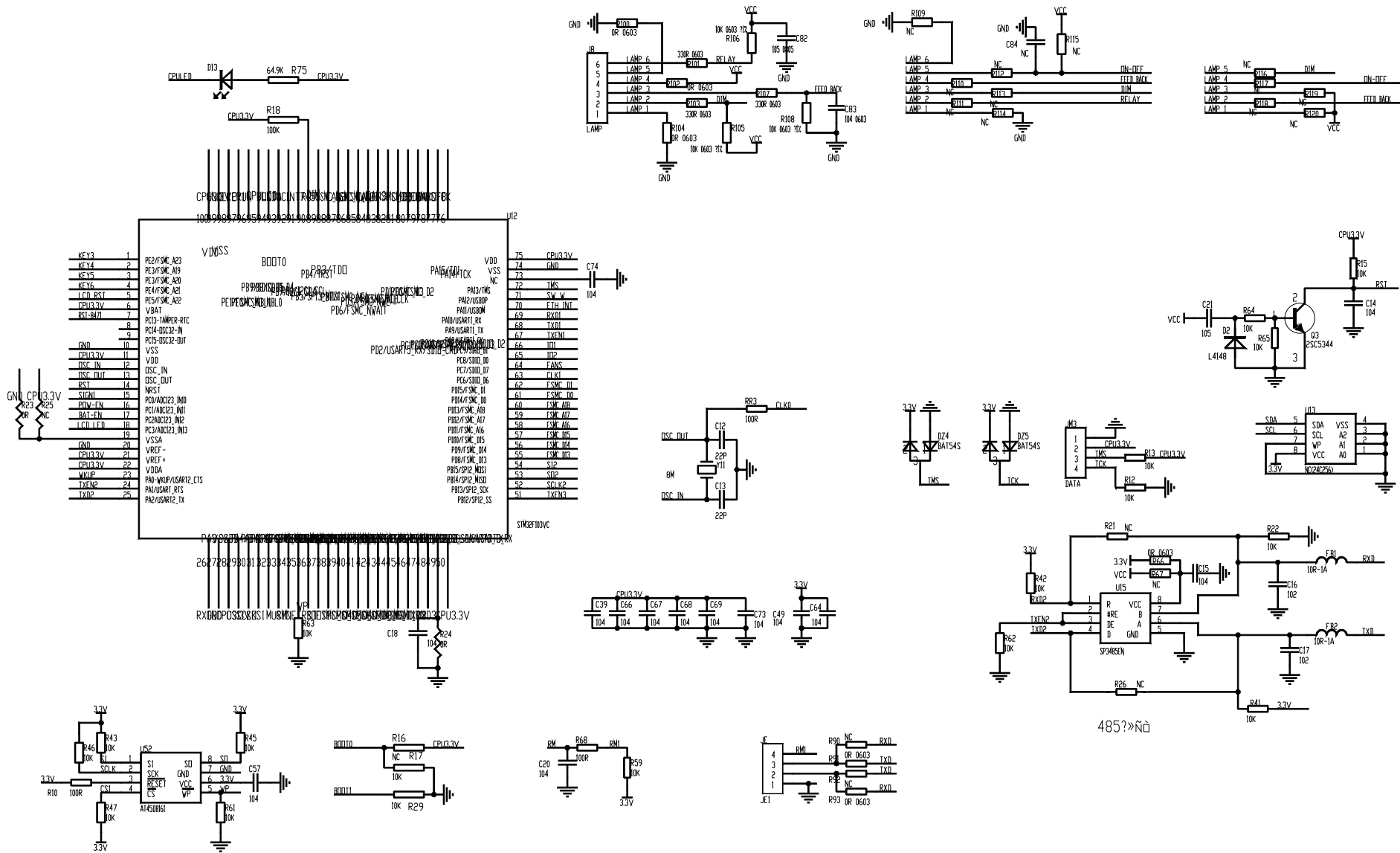
PCB0368B RJ45网口连接图



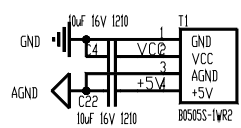
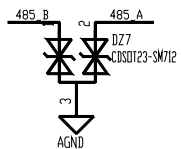
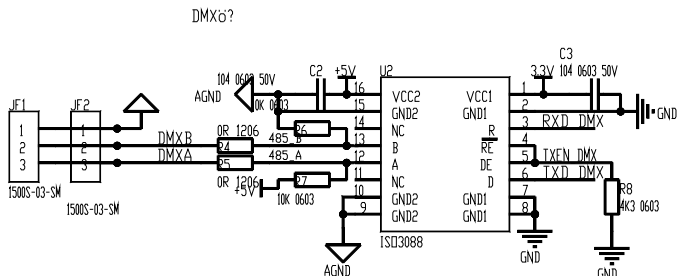
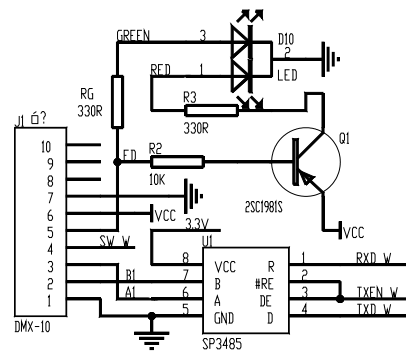
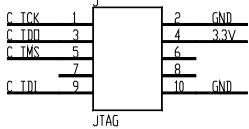
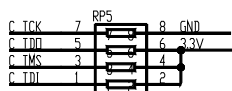
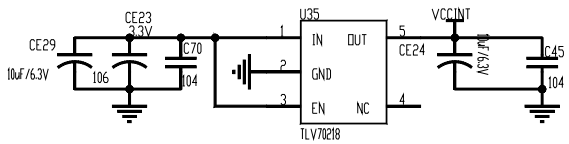
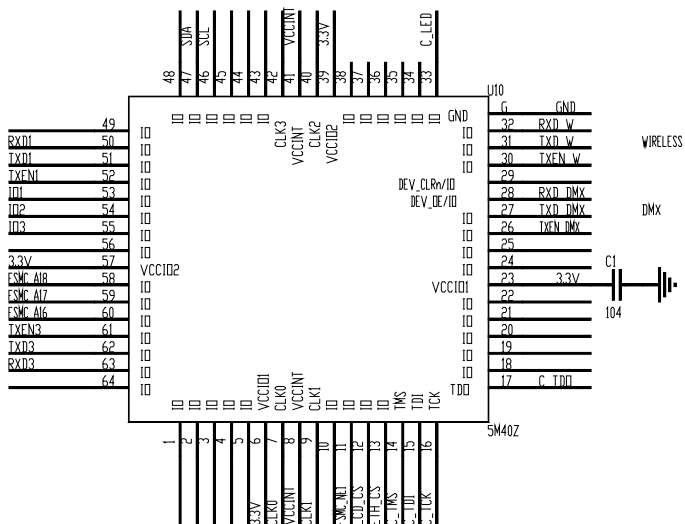
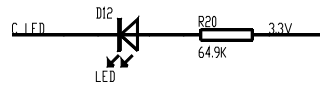
PRODUCT		ICON BEAM			
PIC. NO.		PCB0368B SCHEME			
EDIT		FILE NO.	HY-WIEC-0480	PAGE NO.	13/26
CHECK		VERSION	NR	DATE	2015. 09. 09
APPROVE		ECN NO.		DATE	



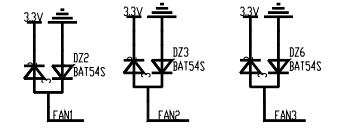
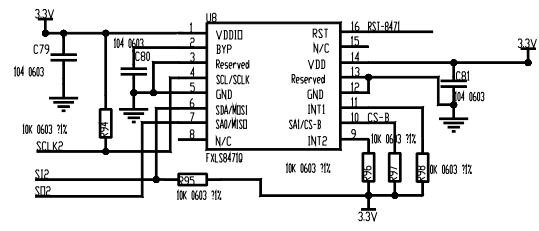
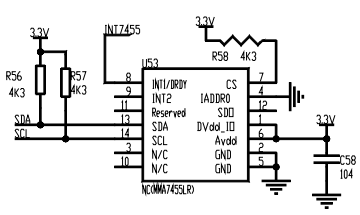
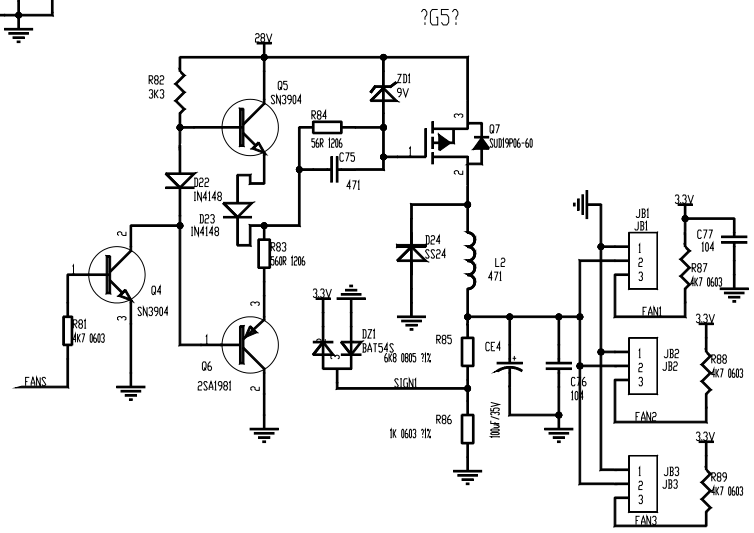
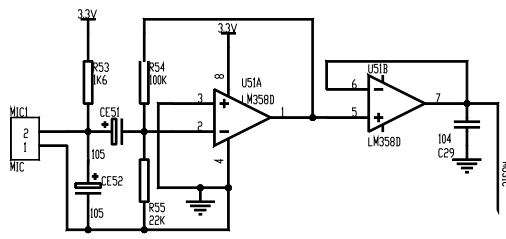
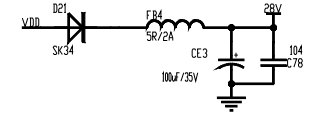
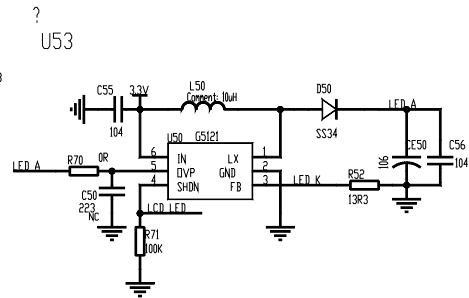
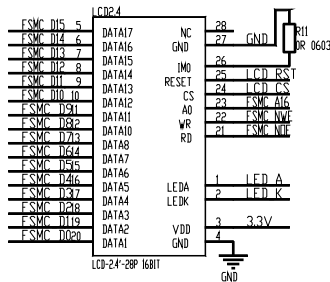
PRODUCT		ICON BEAM			
PIC. NO.		PCB1168-0-B (POWER) SCHEME			
EDIT		FILE NO.	HY-WIEC-1433	PAGE NO.	14/26
CHECK		VERSION	NR	DATE	2015. 09. 09
APPROVE		ECN NO.		DATE	



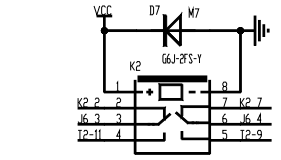
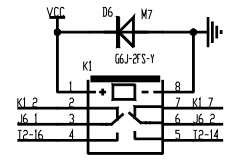
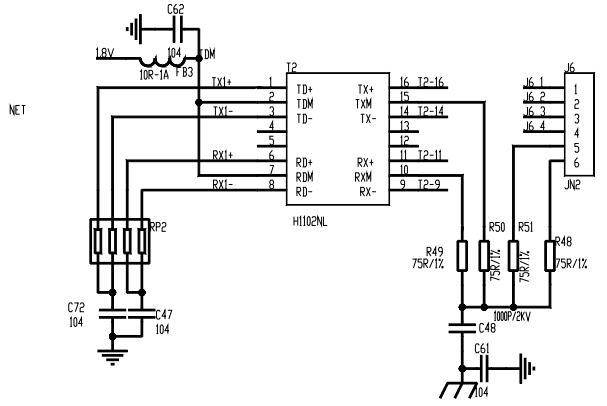
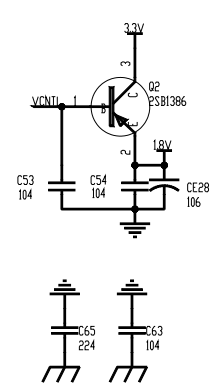
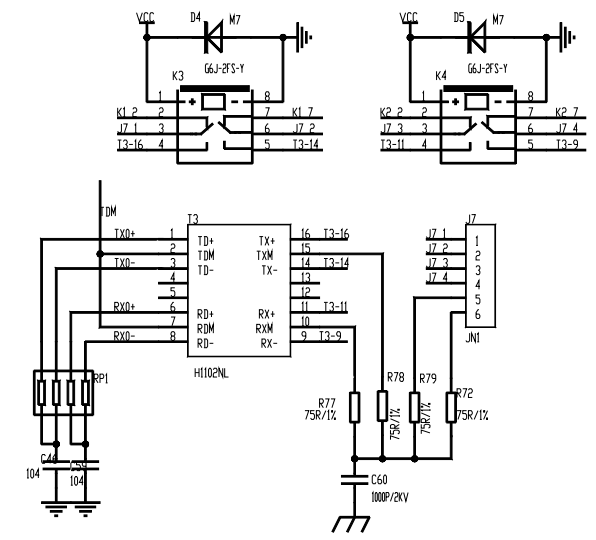
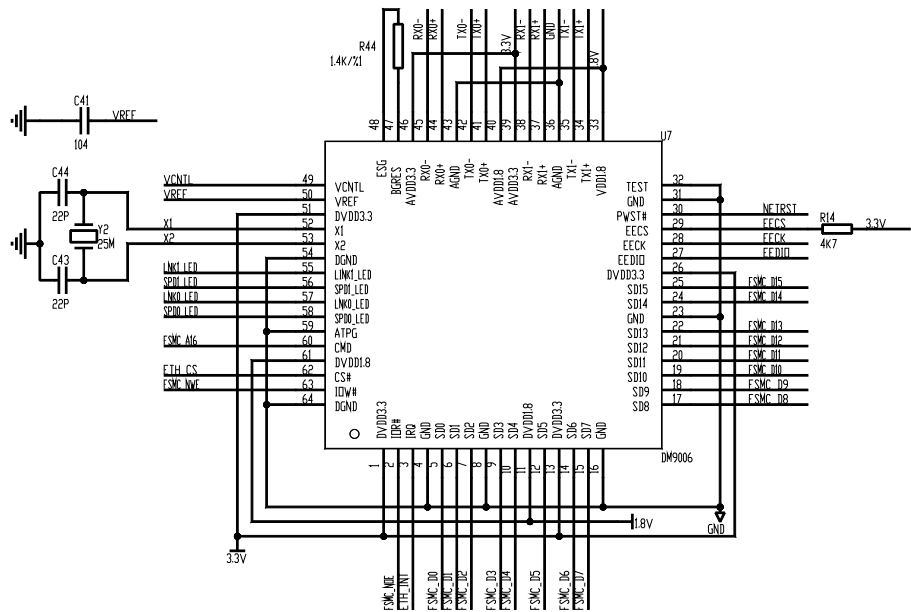
PRODUCT		ICON BEAM			
PIC. NO.		PCB1168-0-B (CPU) SCHEME			
EDIT		FILE NO.	HY-WIEC-1433	PAGE NO.	15/26
CHECK		VERSION	NR	DATE	2015. 09. 09
APPROVE		ECN NO.		DATE	



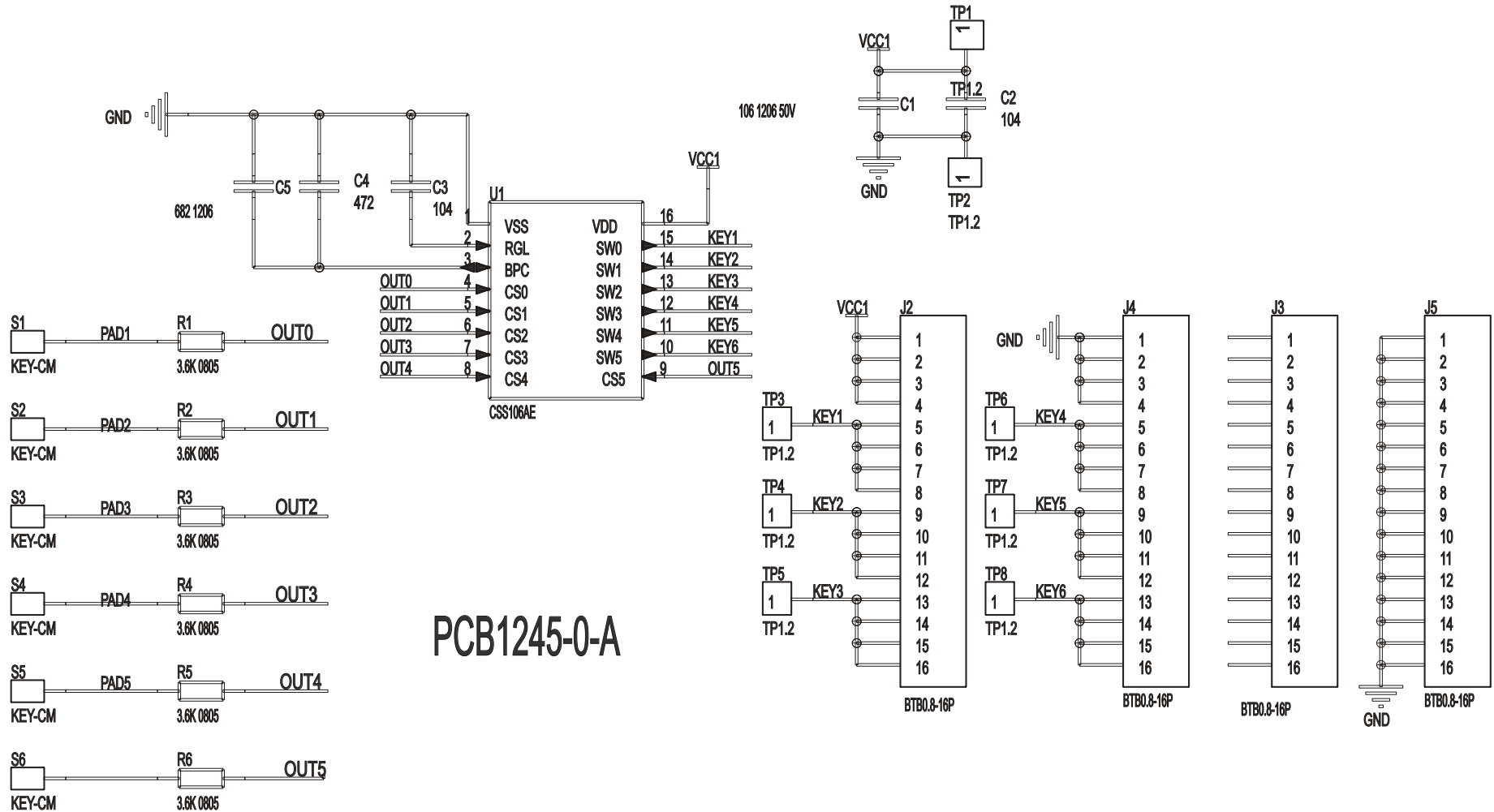
PRODUCT		ICON BEAM			
PIC. NO.		PCB1168-0-B (DMX) SCHEME			
EDIT		FILE NO.	HY-WIEC-1433	PAGE NO.	16/26
CHECK		VERSION	NR	DATE	2015. 09. 09
APPROVE		ECN NO.		DATE	



PRODUCT		ICON BEAM			
PIC. NO.		PCB1168-0-B (LCD) SCHEME			
EDIT		FILE NO.	HY-WIEC-1433	PAGE NO.	17/26
CHECK		VERSION	NR	DATE	2015. 09. 09
APPROVE		ECN NO.		DATE	

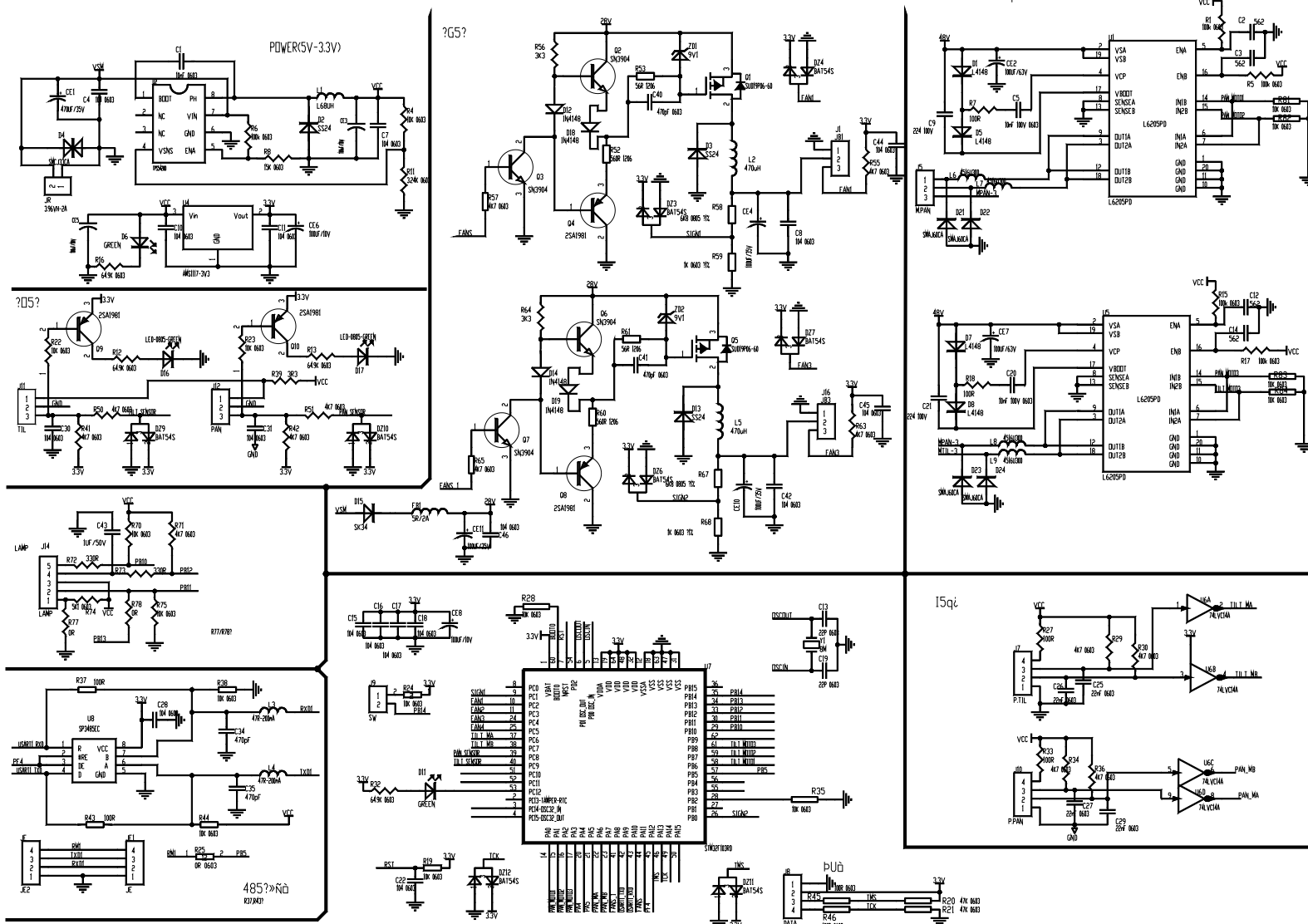


PRODUCT		ICON BEAM			
PIC. NO.		PCB1168-0-B (NET) SCHEME			
EDIT		FILE NO.	HY-WIEC-1433	PAGE NO.	18/26
CHECK		VERSION	NR	DATE	2015. 09. 09
APPROVE		ECN NO.		DATE	

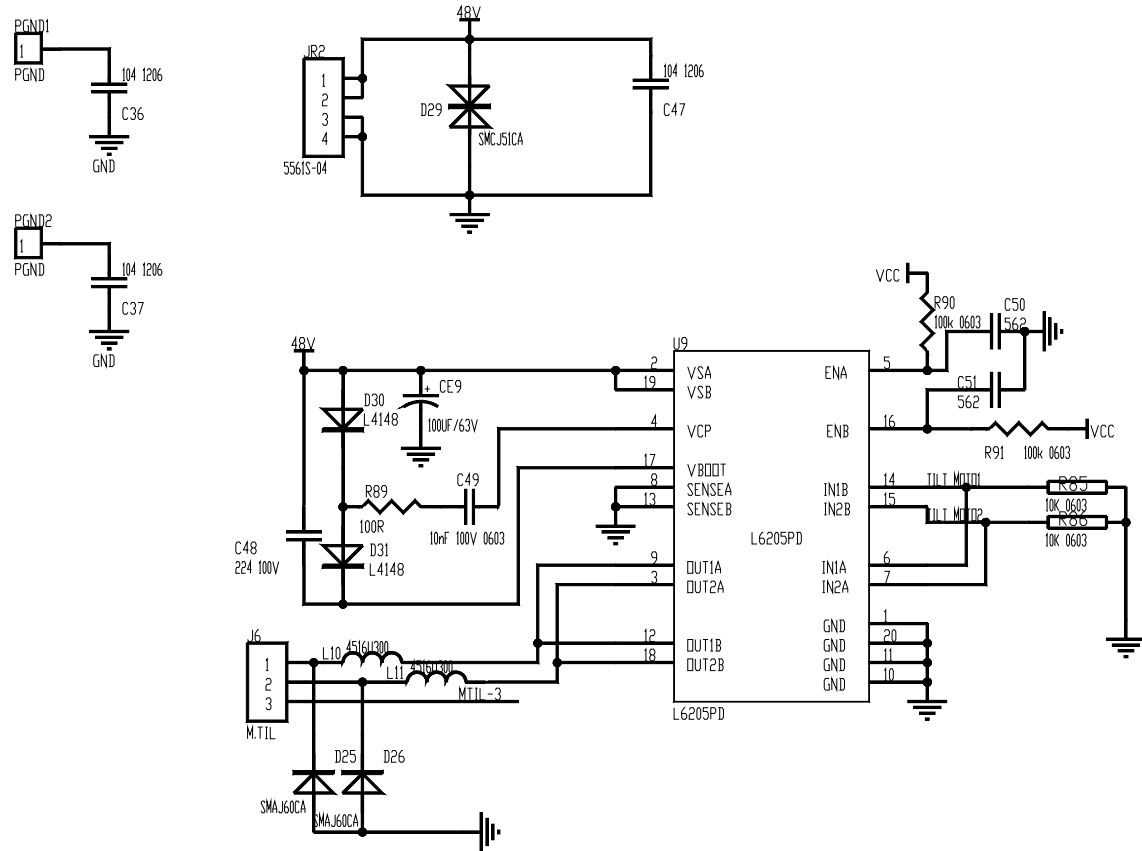


PCB1245-0-A

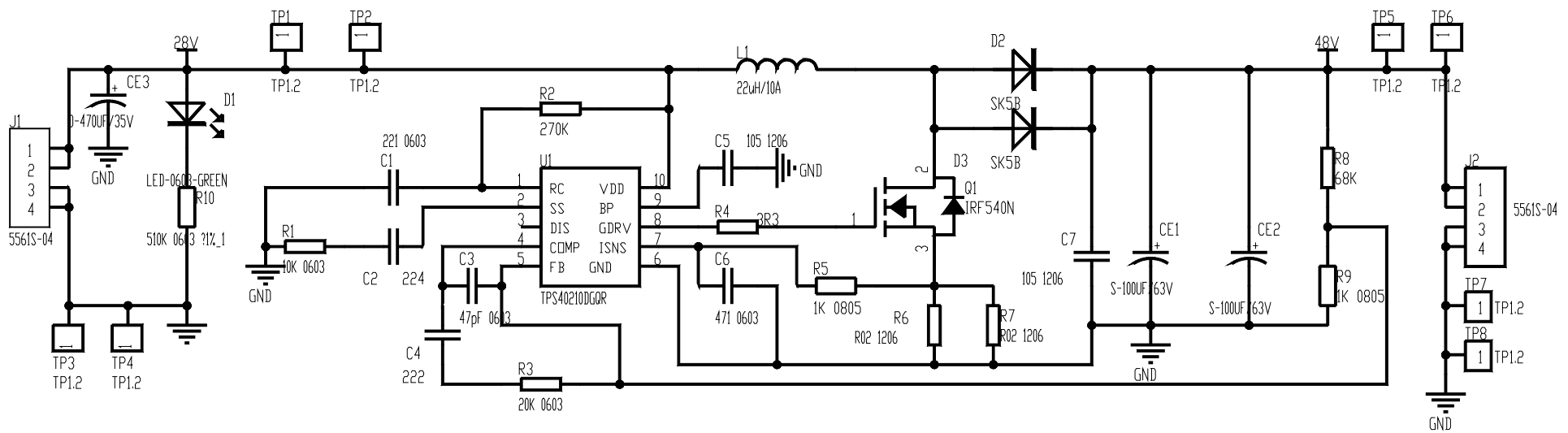
PRODUCT		ICON BEAM			
PIC. NO.		PCB1245-0-A SCHEME			
EDIT		FILE NO.	HY-WIEC-1453	PAGE NO.	19/26
CHECK		VERSION	NR	DATE	2015. 09. 09
APPROVE		ECN NO.		DATE	



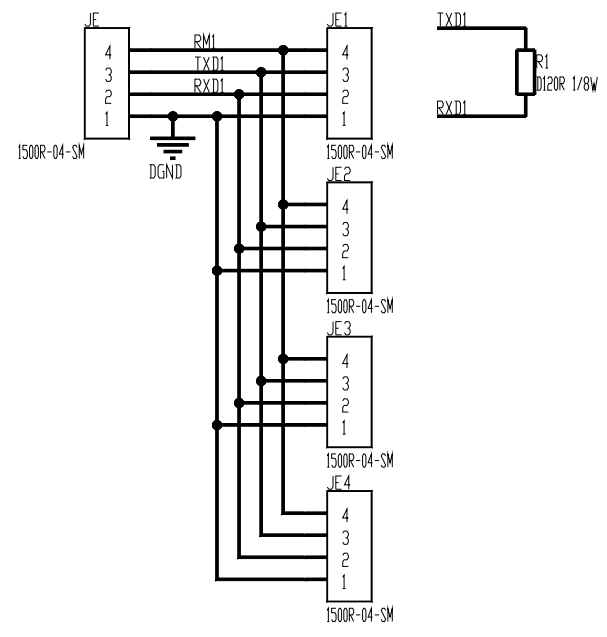
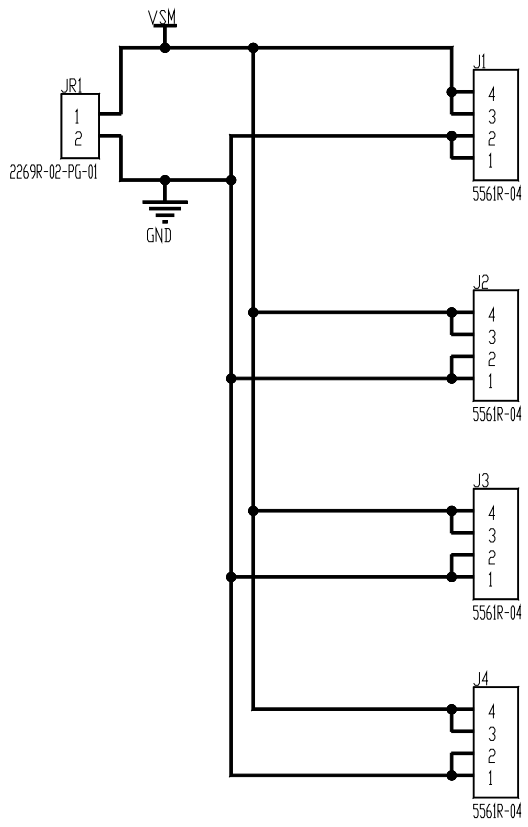
PRODUCT		ICON BEAM			
PIC. NO.		PCB1184-0-B SCHEME			
EDIT		FILE NO.	HY-WIEC-1425	PAGE NO.	20/26
CHECK		VERSION	NR	DATE	2015. 09. 09
APPROVE		ECCN NO.		DATE	



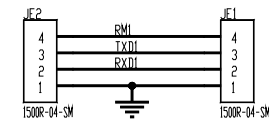
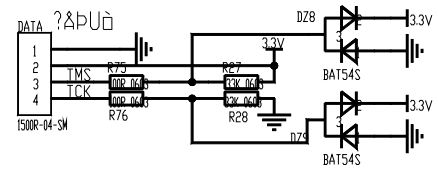
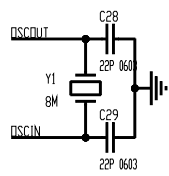
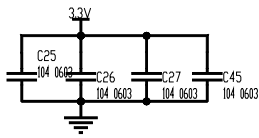
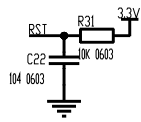
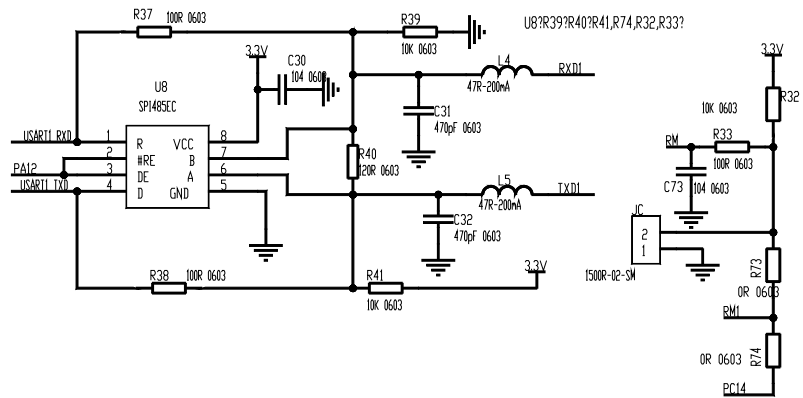
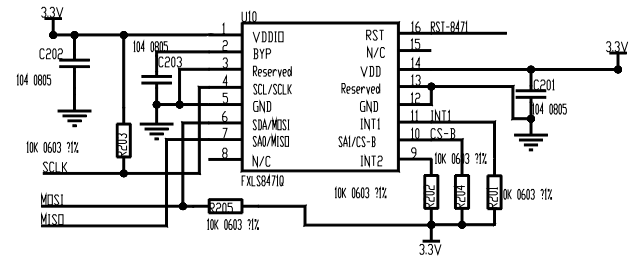
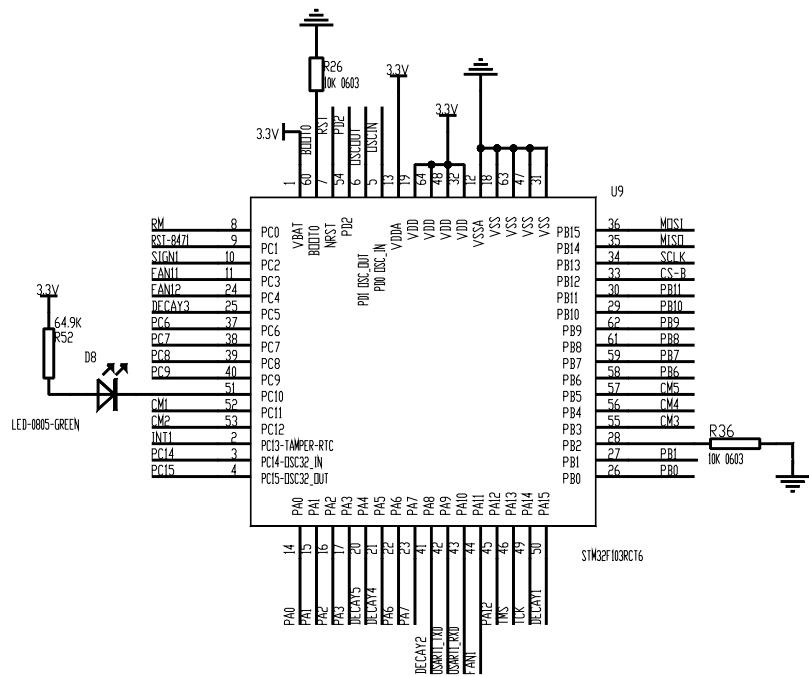
PRODUCT		ICON BEAM			
PIC. NO.		PCB1184-0-B (BOOST) SCHEME			
EDIT		FILE NO.	HY-WIEC-1425	PAGE NO.	21/26
CHECK		VERSION	NR	DATE	2015. 09. 09
APPROVE		ECN NO.		DATE	



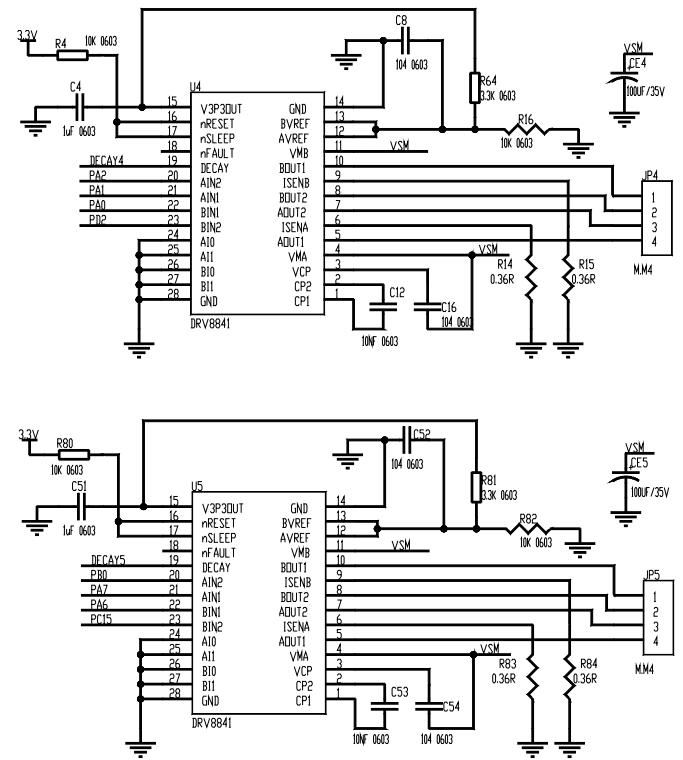
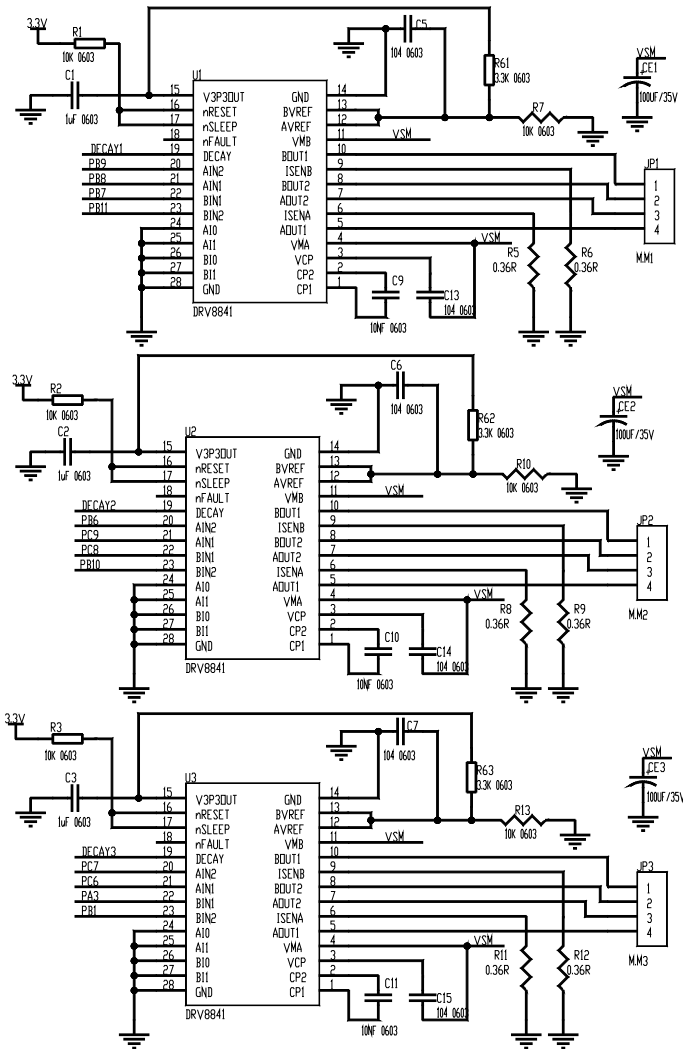
PRODUCT		ICON BEAM			
PIC. NO.		PCB1187-0-B SCHEME			
EDIT		FILE NO.	HY-WIEC-1426	PAGE NO.	22/26
CHECK		VERSION	NR	DATE	2015. 09. 09
APPROVE		ECN NO.		DATE	



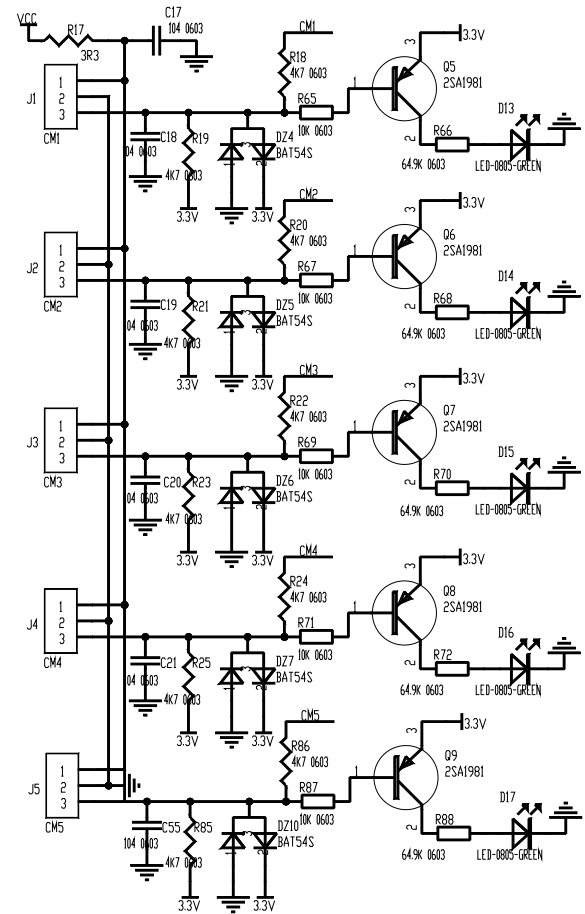
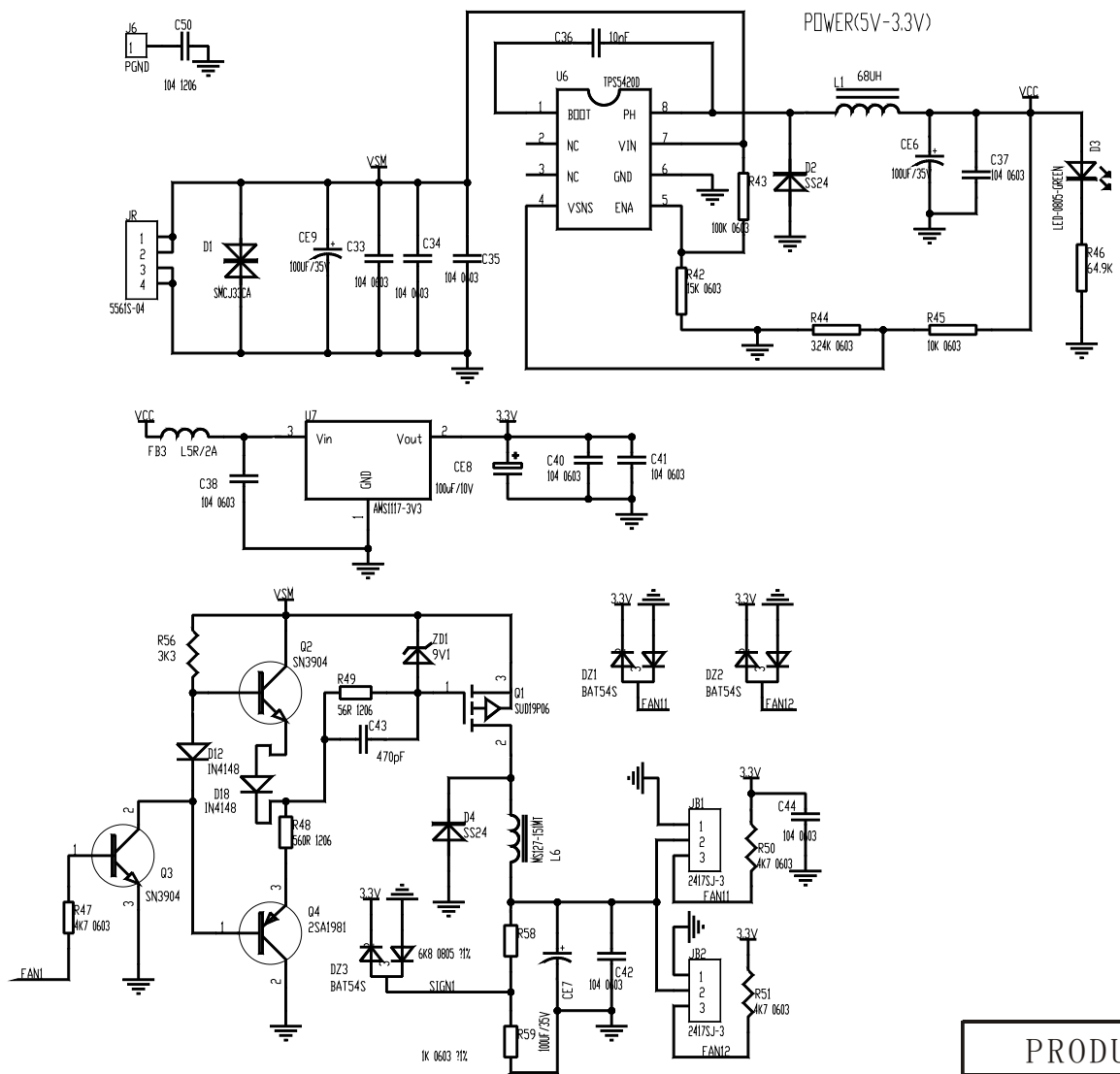
PRODUCT		ICON BEAM			
PIC. NO.		PCB1111-0-A SCHEME			
EDIT		FILE NO.	HY-WIEC-1340	PAGE NO.	23/26
CHECK		VERSION	NR	DATE	2015. 09. 09
APPROVE		ECN NO.		DATE	



PRODUCT		ICON BEAM			
PIC. NO.		PCB1152-0-B (CPU) SCHEME			
EDIT		FILE NO.	HY-WIEC-1393	PAGE NO.	24/26
CHECK		VERSION	NR	DATE	2015. 09. 09
APPROVE		ECN NO.		DATE	



PRODUCT		ICON BEAM			
PIC. NO.		PCB1152-0-B (MOTOR) SCHEME			
EDIT		FILE NO.	HY-WIEC-1393	PAGE NO.	25/26
CHECK		VERSION	NR	DATE	2015. 09. 09
APPROVE		ECN NO.		DATE	



PRODUCT		ICON BEAM			
PIC. NO.		PCB1152-0-B (POWER) SCHEME			
EDIT		FILE NO.	HY-WIEC-1393	PAGE NO.	26/26
CHECK		VERSION	NR	DATE	2015. 09. 09
APPROVE		ECN NO.		DATE	