

GroundControl™ Best Boy HP Luminaire

The GC Best Boy® Luminaire is optimized for short to medium throw followspot work. It uses a 1,500 watt HTI lamp producing 33,000 lumens.

The most advanced automated lighting fixture available, the GC Best Boy is purpose-built to be the ultimate designer's tool with a high output and a feature set that includes shutters and an iris, superior speed and unmatched optical clarity.

With a beam size iris that works hand in hand with the 8:1 zoom and framing shutters, the GC Best Boy offers the maximum beam versatility in a single automated fixture. Using servo motors in critical areas throughout the unit guarantees that movements and functions are precise with fluid control over both rapid and slow movements.

The GC Best Boy produces an even, clean white beam with no green tint and no hot spots. GC Best Boy's CMY color-mixing system offers strong saturated colors as well as a wide array of tints and lighter hues; a seven-color designer wheel includes a superior UV filter for blacklight effects. The unique color temperature wheel lets designers match color temperature from 3,000K to 7,500K and provides an integrated minus green filter, ideal for on-camera lighting. The PRG Moiré Gobos™ give designers a new level of gobo effects and the high-definition optics maintain edgetracking of gobos for clear focus throughout the entire zoom range (8°-64°).

Built-In HD Camera

A High Definition camera is mounted on the fixture that outputs HD-SDI at 1080p enabling the spot operator on the ground to see the stage as if he or she was sitting right next to the fixture. The onboard camera has an optical zoom, targeting reticle, and a night vision mode that enables operators to pick up a performer on a virtually black stage.

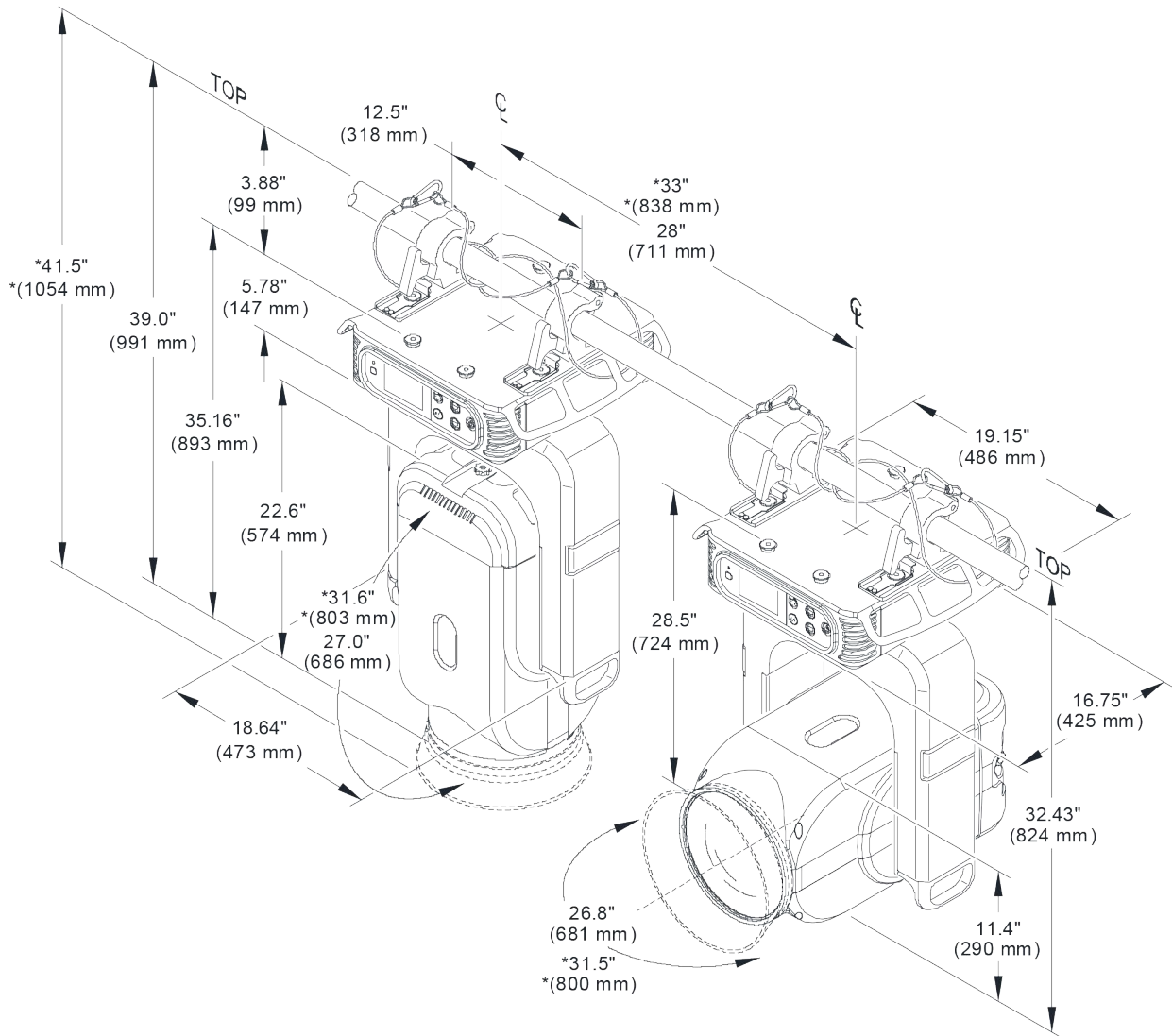


Features

SOURCE:	OSRAM HTI 1500W Lamp. Can be set to 1,200W, 1,400W or 1,600W
OUTPUT:	33,000 lumens
POWER DRAW:	10.5A at 208V, 8.75A at 240V. Auto-sensing voltage input range is 170V-270V 50/60HZ. Power factor >0.95
REFLECTOR:	Precision glass reflector with dichroic cold mirror coating.
INTENSITY:	Full-field dimming from 0 to 100% with accurate slow-speed control and fast bumps.
STROBE:	Servo-powered, lightning fast strobe.
ZOOM RANGE:	8:1 from narrow spot of 8° to wide flood of 64°.
EDGE CONTROL:	Three (3) groups of lenses — each independently controlled for accuracy while maintaining focus during zoom changes
BEAM SIZE IRIS:	A mechanical iris provides continuous beam size control for both rapid changes and smooth timed beam angle changes.
FRAMING:	Four-blade framing system features four, independent blades mounted in two planes. Each blade can be tilted +/- 30° and the entire frame system can be rotated +/- 60° for a total travel of 120.
FROST:	Variable frost for smooth diffusion.
EFFECTS:	One (1) multiplying four-facet prism, and two (2) glass effects
COLOR MIXING:	CMY color system featuring three (3) cross fading color wheels of Cyan, Magenta, Yellow, plus one (1) designer wheel with seven (7) user-changeable color filters.
COLOR CORRECTION:	Adjustable color temperature wheel, range from 3,000K all the way up to 7,500K. Also includes an integrated minus green filter
ROTATING GOBOS:	Two (2) indexable, rotating gobo wheel with six (6) gobos. Gobos are individually calibrated so the unit will automatically index the orientation of each gobo regardless of placement. Both gobo wheels accept PRG Moiré Gobos™ for advanced gobo rotator effects
OPERATING TEMP:	32° to 120°F (0° to 49°C)
CONTROL:	Compatible with a wide variety of DMX512-A, Art-Net, and sACN consoles.
ON-BOARD CONTROL:	Built-in LCD display with touchscreen menu system. On-board battery power allows for the fixture address and configurations to be set without having to apply AC power to the luminaire
PAN & TILT RANGE:	Pan - 615°, Tilt - 260°
DMX:	49 Channels

GroundControl™ Best Boy Luminaire Specifications

Dimensions



POSITIONING:

Can be mounted in any orientation.

SPACING:

Hangs on 33 inch (838 mm) centers with nose cone.

WEIGHT:

110 lbs (50 kg) without hooks

BEST BOY® IS A REGISTERED TRADEMARK OF PRODUCTION RESOURCE GROUP, LLC.